



Lamborghini
CALORECLIMA

AZIENDA CERTIFICATA ISO 9001



cod. 3541M741 - Rev. 00 - 07/2018

EAC



EL-DB N

32 / 47 / 62 / 78 / 95

9B

INSTRUCTIONS FOR USE, INSTALLATION AND MAINTENANCE

: F

INSTRUCTIONS D'UTILISATION, D'INSTALLATION ET D'ENTRETIEN

RU

ТЕХНИЧЕСКИЙ ПАСПОРТ ИЗДЕЛИЯ

РУКОВОДСТВО ПО ЭКСПЛУАТАЦИИ, МОНТАЖУ И ТЕХОБСЛУЖИВАНИЮ

1. GENERAL WARNINGS

- Carefully read and follow the instructions contained in this instruction booklet.
- After boiler installation, inform the user regarding its operation and give him this manual, which is an integral and essential part of the product and must be kept with care for future reference.
- Installation and maintenance must be carried out by professionally qualified personnel, in compliance with the current regulations and according to the manufacturer's instructions. Do not carry out any operation on the sealed control parts.
- Incorrect installation or inadequate maintenance can result in damage or injury. The Manufacturer declines any liability for damage due to errors in installation and use, or failure to follow the instructions.
- Before carrying out any cleaning or maintenance operation, disconnect the unit from the electrical power supply using the switch and/or the special cut-off devices.
- In case of a fault and/or poor operation, deactivate the unit and do not try to repair it or directly intervene. Contact professionally qualified personnel. Any repair/replacement of the products must only be carried out by qualified personnel using original replacement parts. Failure to comply with the above could affect the safety of the unit.
- This unit must only be used for its intended purpose. Any other use is deemed improper and therefore hazardous.
- The packing materials are potentially hazardous and must not be left within the reach of children.
- The unit must not be used by people (including children) with limited physical, sensory or mental abilities or without experience and knowledge of it, unless instructed or supervised in its use by someone responsible for their safety.
- The unit and its accessories must be appropriately disposed of, in compliance with the current regulations.
- The images given in this manual are a simplified representation of the product. In this representation there may be slight and insignificant differences with respect to the product supplied.

THE DECLARATION OF CONFORMITY MAY BE REQUESTED FROM THE MANUFACTURER.

2. OPERATING INSTRUCTIONS

2.1 Introduction

Dear Customer,

Thank you for choosing a **LAMBORGHINI** boiler featuring advanced design, cutting-edge technology, high reliability and quality construction. Please read this manual carefully since it provides important information on safe installation, use and maintenance.

EL-DB N is a high-efficiency heat generator for the production of heating hot water, suitable for operation with blown oil or gas burners. The boiler shell consists of cast iron elements, assembled with steel stays and double cones, whose profile is specially designed with optimum division of the fins, offering high thermal efficiency and therefore high energy-saving.

2.2 Control panel

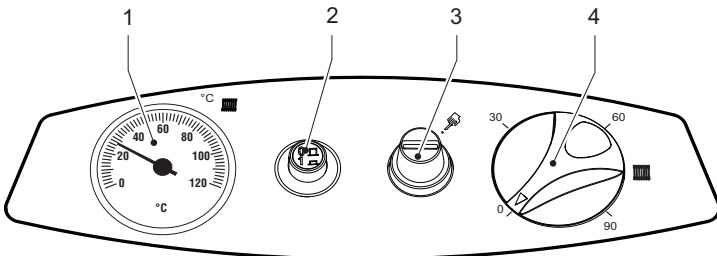


fig. 1 - Control panel for models EL-DB N 32-78

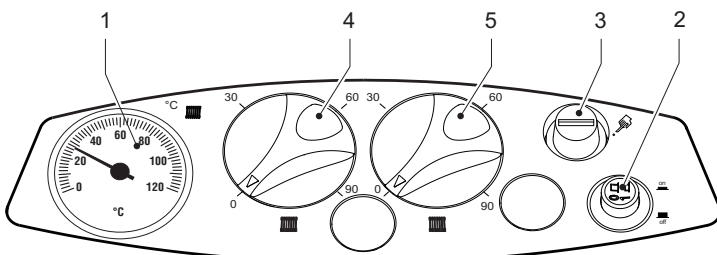


fig. 2 - Control panel for models EL-DB N 95

Key

- 1 = Thermometer
- 2 = Ignition switch
- 3 = Manual reset safety thermostat
- 4 = 1st stage temperature control knob
- 5 = 2nd stage temperature control knob

2.3 Turning on and off

Boiler lighting

Open the fuel shutoff valves.

Switch on the power to the unit.

Press button 2 of fig. 1 to feed the boiler and burner. Refer to the burner manual for operation.

Turning the boiler off


For brief shutdown periods just press button 2 of fig. 1 on the control panel, bringing it to position "0". For long shutdown periods, as well as operating button 2 also close the fuel shutoff valve. To avoid damage caused by freezing during long shutdowns in winter, add a suitable antifreeze to the system or completely drain the system.

2.4 Adjustments

Heating temperature setting

Set the required system temperature with the control thermostat 4 of fig. 1.

For the model **EL-DB N 95**, with the control thermostat **5** then set the temperature of the 2nd stage to a temperature **10°C lower than that of the 1st stage**.

 **IMPORTANT: The temperature setting of the 2nd stage must always be lower than that of the 1st stage.**

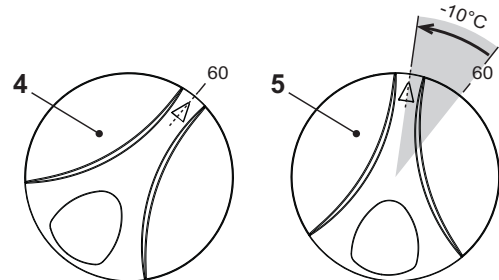


fig. 3 - Temperature adjustment for model EL-DB N 95

Room temperature adjustment (with optional room thermostat)

Using the room thermostat, set the temperature desired in the rooms. If the room thermostat is not installed the boiler will keep the heating system at its setpoint temperature.


3. INSTALLATION

3.1 General Instructions

BOILER INSTALLATION MUST ONLY BE PERFORMED BY QUALIFIED PERSONNEL, IN ACCORDANCE WITH ALL THE INSTRUCTIONS GIVEN IN THIS TECHNICAL MANUAL. THE PROVISIONS OF CURRENT LAW, THE PRESCRIPTIONS OF NATIONAL AND LOCAL STANDARDS AND THE RULES OF PROPER WORKMANSHIP.


3.2 Place of installation

The boiler must be installed in a special room with ventilation openings towards the outside in conformity with current regulations. If there are several burners or extraction units that can work together in the same room, the ventilation openings must be sized for simultaneous operation of all the units. The place of installation must be free of flammable objects or materials, corrosive gases, volatile substances or dusts which, sucked by the burner fan, can obstruct the pipes inside the burner or the combustion head. The room must be dry and not exposed to rain, snow or frost.

 If the unit is enclosed in a cabinet or mounted alongside, a space must be provided for removing the casing and for normal maintenance operations. In particular, after boiler installation with burner on the front door, make sure the front door can open freely without the burner striking walls or other obstacles.

3.3 Plumbing connections


The heating capacity of the unit must be previously established by calculating the building's heat requirement according to the current regulations. The system must be provided with all the components for correct and regular operation. It is advisable to install shutoff valves between the boiler and heating system allowing the boiler to be isolated from the system if necessary.

 The safety valve outlet must be connected to a funnel or collection pipe to prevent water spurting onto the floor in case of overpressure in the heating circuit. Otherwise, if the discharge valve cuts in and floods the room, the boiler manufacturer cannot be held liable.

Do not use the water system pipes to earth electrical appliances.


Before installation, carefully wash all the pipes of the system to remove any residuals or impurities that could affect proper operation of the unit.

Carry out the relevant connections according to the diagram in and the cap. 5 symbols given on the unit.

 The unit is not supplied with an expansion tank; its connection must therefore be carried out by the installer. The pressure in the system, when cold, must be 1 bar.

Water system characteristics

In the presence of water harder than 25° Fr (1°F = 10ppm CaCO₃), use suitably treated water in order to avoid possible scaling in the boiler. Treatment must not reduce the hardness to values below 15°F (Decree 236/88 for uses of water intended for human consumption). Treatment of the water used is indispensable in case of very large systems or with frequent introduction of replenishing water in the system.

 If water softeners are installed at the boiler cold water inlet, make sure not to reduce the water hardness too much, as this could cause early deterioration of the magnesium anode in the hot water tank.

Antifreeze system, antifreeze fluids, additives and inhibitors

If it becomes necessary, it is permissible to use antifreeze fluid, additives and inhibitors only if the manufacturer of these fluids or additives guarantees they are suitable for this use and cause no damage to the heat exchanger or other components and/or materials of the boiler unit and system. It is prohibited to use generic antifreeze fluid, additives or inhibitors that are not expressly suited for use in heating systems and compatible with the materials of the boiler unit and system.

3.4 Burner connection

An oil or gas burner, with blown air for pressured furnaces, can be used if its operation characteristics are suitable for the size of the boiler furnace and its overpressure. The choice of burner must be made beforehand, following the manufacturer's instructions, according to the work range, fuel consumption and pressures, as well as the length of the firebox. Install the burner in compliance with the Manufacturer's instructions.

3.5 Electrical connections

Connection to the electrical grid



The unit's electrical safety is only guaranteed when correctly connected to an efficient earthing system executed according to current safety standards. Have the efficiency and suitability of the earthing system checked by professionally qualified personnel. The manufacturer is not responsible for any damage caused by failure to earth the system. Also make sure that the electrical system is adequate for the maximum power absorbed by the unit, as specified on the boiler dataplate.

The boiler is prewired and provided with a Y-cable and plug for connection to the electricity line. The connections to the grid must be made with a permanent connection and equipped with a bipolar switch whose contacts have a minimum opening of at least 3 mm, interposing fuses of max. 3A between the boiler and the line. It is important to respect the polarities (LINE: brown wire / NEUTRAL: blue wire / EARTH: yellow-green wire) in making connections to the electrical line. During installation or when changing the power cable, the earth wire must be left 2 cm longer than the others.



The user must never change the unit's power cable. If the cable gets damaged, switch off the unit and have it changed solely by professionally qualified personnel. If changing the electric power cable, use solely "HAR H05 VV-F" 3x0.75 mm² cable with a maximum outside diameter of 8 mm.

Accessing the electrical terminal block

Undo the two screws "A" located on the top part of the control panel and remove the cover "B".

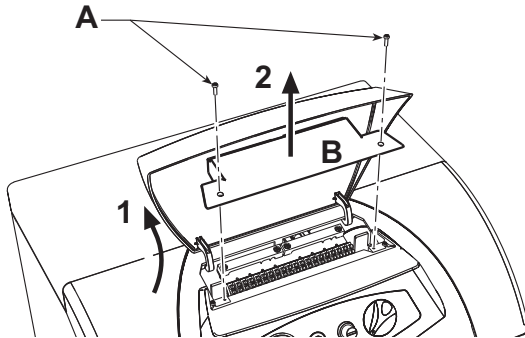


fig. 4 - Accessing the terminal block

3.6 Connection to the flue

The unit must be connected to a flue designed and built in compliance with current regulations. The pipe between the boiler and flue must be made from material suitable for the purpose, i.e. heat and corrosion resistant. Ensure the seal at the joints and insulate the entire pipe between boiler and flue, to prevent the formation of condensate.

4. SERVICE AND MAINTENANCE

All adjustment, conversion, start-up and maintenance operations described below must only be carried out by Qualified Personnel (meeting the professional technical requirements prescribed by current regulations) such as those of the Local After-Sales Technical Service.

LAMBORGHINI declines any liability for damage and/or injury caused by unqualified and unauthorised people tampering with the unit.

4.1 Adjustments

Burner adjustment

Boiler efficiency and correct operation depend above all on accurate burner adjustments. Carefully follow the Manufacturer's instructions. The two-stage burners must have the first stage adjusted to a power level not below the boiler's rated min. power. The power of the second stage must not be higher than the boiler's rated max. power.

4.2 Start-up



Checks to be made at first lighting and after all maintenance operations that involved disconnecting from the systems or an operation on safety devices or parts of the boiler:

Before lighting the boiler

- Open any on-off valves between the boiler and the systems.
- Check the seal of the fuel system.
- Check correct prefilling of the expansion tank.
- Fill the water system and make sure that all air contained in the boiler and the system has been vented, by opening the air valve on the boiler and any air valves on the system.
- Make sure there are no water leaks in the system, domestic hot water circuits, connections or boiler.
- Check correct connection of the electrical system and efficiency of the earthing system
- Make sure there are no flammable liquids or materials in the immediate vicinity of the boiler

Checks during operation

- Light the unit on as described in sec. 2.3.
- Make sure the fuel circuit and water systems are tight.
- Check the efficiency of the flue and air/fume ducts while the boiler is working.
- Make sure the water is circulating properly between the boiler and the systems.
- Check proper lighting of the boiler by doing several tests, turning it on and off with the room thermostat or remote control.
- Make sure the fuel consumption indicated on the meter matches that given in the technical data table on sec. 5.3.
- Make sure the fumebox and burner door are tight.
- Make sure the burner works properly. This check must be made with the special instruments, following the manufacturer's instructions.

4.3 Maintenance

Periodical check

To ensure correct operation of the unit over time, have qualified personnel carry out a yearly check, providing for the following:

- The control and safety devices must function correctly.
- The fume evacuation circuit must be perfectly efficient.
- Make sure there are no obstructions or dents in the fuel supply and return pipes.
- Clean the filter of the fuel suction line.
- Measure the correct fuel consumption
- Clean the combustion head in the fuel outlet zone, on the swirl disc.
- Leave the burner on at max. for about ten minutes, then analyse the combustion, checking:
 - Correct setting of the elements specified in this manual.
 - Temperatures of fumes at the flue
 - CO₂ percentage content
- The air/fume terminal and ducts must be free of obstructions and leaks
- The burner and exchanger must be clean and free of deposits. For cleaning do not use chemical products or wire brushes.
- The fuel and water systems must be tight.
- The water pressure in the system when cold must be approx. 1 bar; otherwise bring it to that value.
- The circulating pump must not be blocked.
- The expansion tank (not supplied) must be filled.



The boiler casing, control panel and aesthetic parts can be cleaned with a soft damp cloth, if necessary soaked in soapy water. Do not use any abrasive detergents and solvents.

Boiler cleaning

1. Disconnect the power supply to the boiler.
2. Remove the front top and bottom panel.
3. Open the door by undoing the knobs.
4. Clean the inside of the boiler and the entire path of exhaust fumes, using a tube brush or compressed air.
5. Then close the door, securing it with the knob.

To clean the burner, refer to the Manufacturer's instructions.

4.4 Troubleshooting

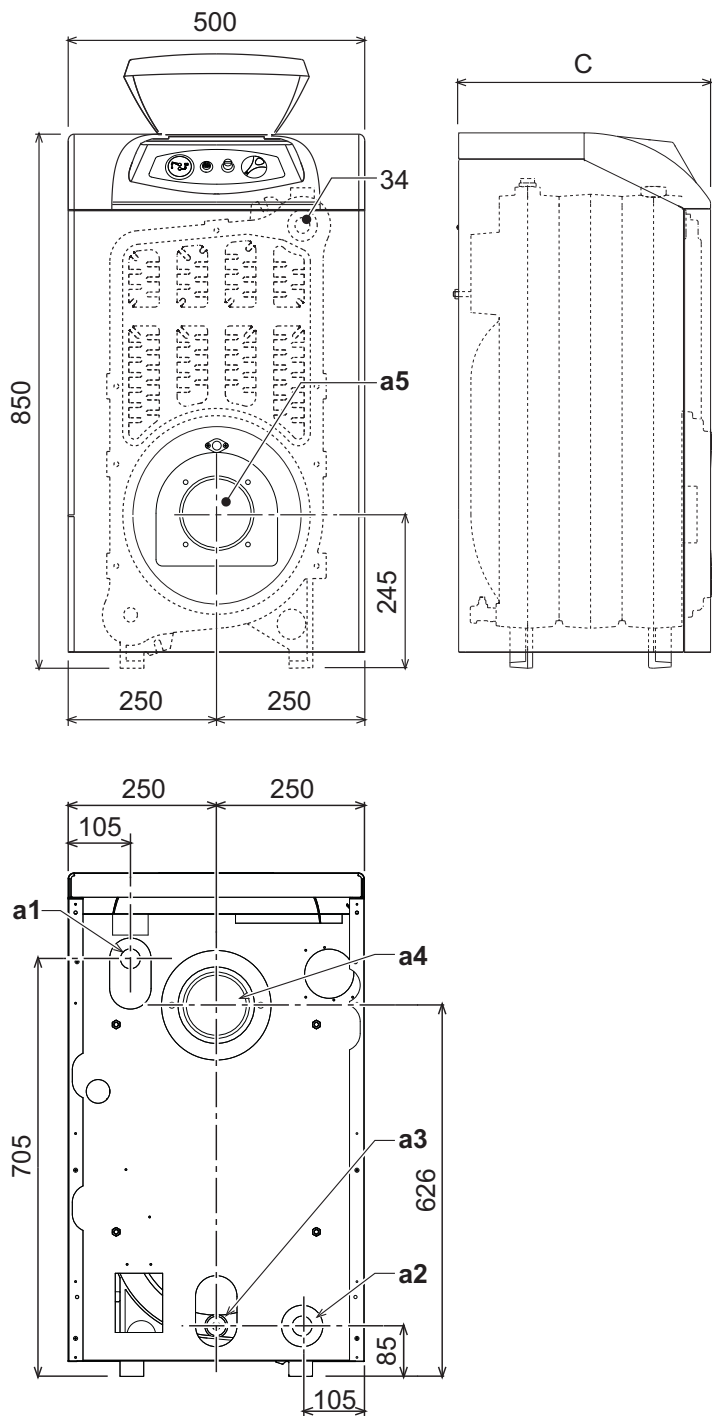
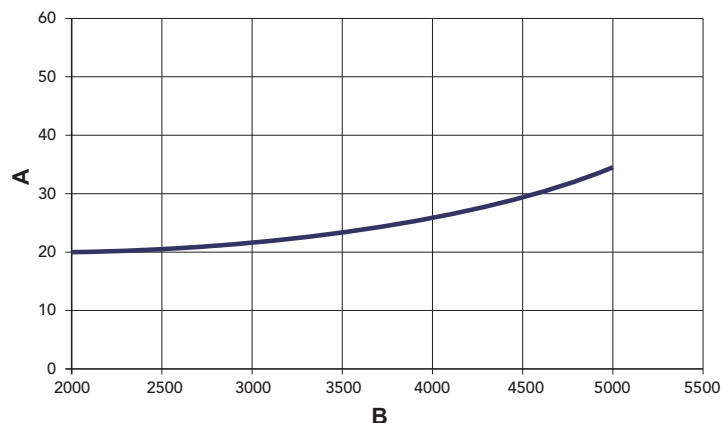
Fault

Two shutdown conditions resettable by the user can occur :

- A** Burner shutdown signalled by the special indicator. Refer to the burner manual.
- B** Cutting in of the safety thermostat, which occurs when the boiler temperature reaches a value beyond which a dangerous condition may be created. To restore operation, unscrew cap 3 of fig. 1 and press the reset button below.

If the problem persists, request the assistance of Qualified Personnel or the After-Sales Centre.

In case of a fault and/or poor operation, deactivate the unit, do not try to fix the problem or directly carry out any operation. Contact authorised and professionally qualified personnel.

5. TECHNICAL DATA AND CHARACTERISTICS
5.1 Dimensions, connections and main components

fig. 5 - Dimensions, connections and main components
5.2 Pressure loss
Pressure loss water side

fig. 6 - Pressure loss

A mbar
B Flowrate l/h

5.3 Technical data table

Model		EL-DB N 32	EL-DB N 47	EL-DB N 62	EL-DB N 78	EL-DB N 95	
Number of elements	n°	3	4	5	6	7	
Max. heating capacity	kW	34.9	51.6	67.7	85.6	103	(Q)
Min. heating capacity	kW	17.0	34.3	45.8	59.0	70.8	(Q)
Max. heat output in heating	kW	32	47	62	78	95	(P)
Min. heat output in heating	kW	16	32	43	55	66	(P)
Efficiency Pmax (80-60°C)	%	91.7	91.1	91.5	91.1	92	
Efficiency 30%	%	94.3	93.5	94.0	93.5	93.8	
Max. working pressure in heating	bar	6	6	6	6	6	(PMS)
Min. working pressure in heating	bar	0.8	0.8	0.8	0.8	0.8	
Max. heating temperature	°C	95	95	95	95	95	(tmax)
Heating water content	l	18	23	28	33	38	
Protection rating	IP	X0D	X0D	X0D	X0D	X0D	
Power supply voltage	V/Hz	230/50	230/50	230/50	230/50	230/50	
Empty weight	kg	127	166	205	244	283	
Combustion chamber length	mm	350	450	550	650	750	
Combustion chamber diameter	mm	300	300	300	300	300	
Pressure loss fume side	mbar	0.2	0.27	0.4	0.4	0.63	

Model	C mm	a4 Ø mm	a5 Ø mm
EL-DB N 32	400	120+130	115
EL-DB N 47	500	120+130	115
EL-DB N 62	600	120+130	115
EL-DB N 78	700	120+130	115
EL-DB N 95	800	120+130	115

- a1** System delivery - 1" 1/2"
- a2** System return - 1" 1/2"
- a3** Heating system drain - 1/2"
- a4** Flue connection
- a5** Burner connection
- 34** Safety and heating temperature bulb

5.4 Wiring diagram

Main wiring diagram EL-DB N 32-78

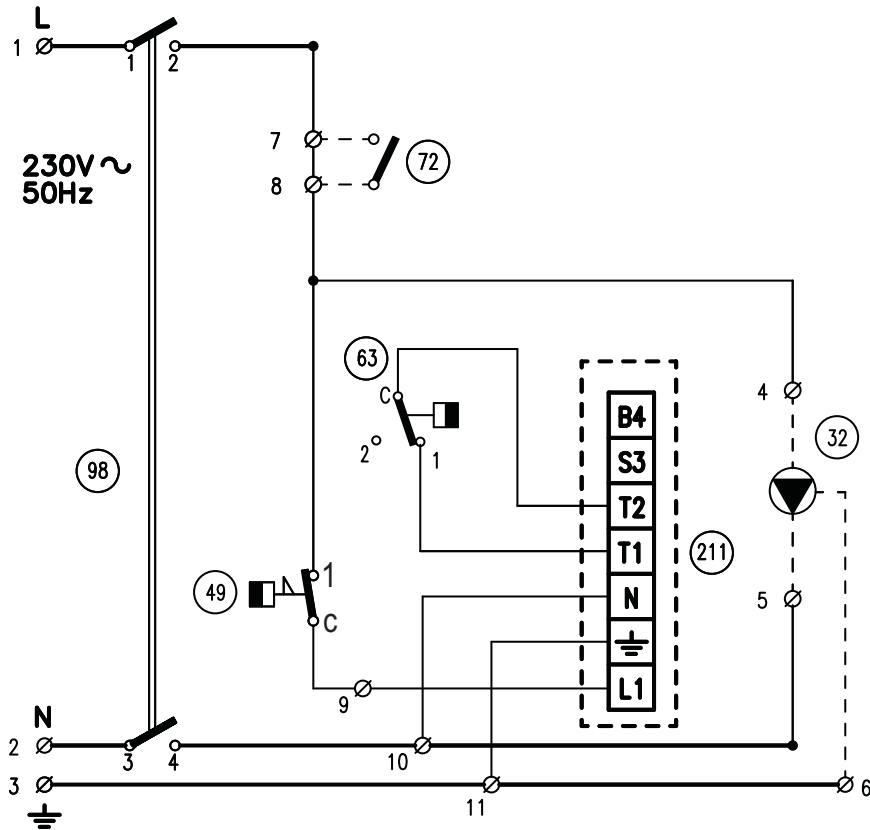


fig. 7 - Main wiring diagram EL-DB N 32-78

Electrical connection diagram EL-DB N 32-78

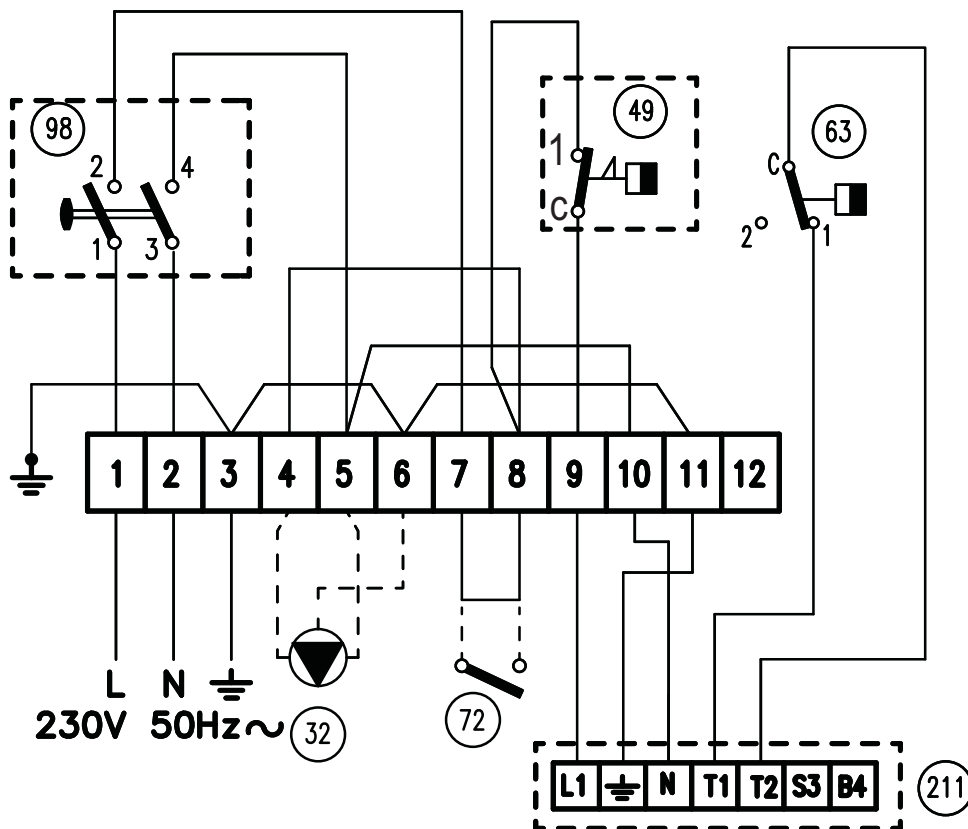


fig. 8 - Electrical connection diagram EL-DB N 32-78

Key fig. 7 and fig. 8

- 32 Heating circulating pump (not supplied)
- 49 Safety thermostat
- 72 Room thermostat (not supplied)
- 63 Boiler control thermostat
- 98 Switch
- 211 Burner connector (not supplied)



Main wiring diagram EL-DB N 95

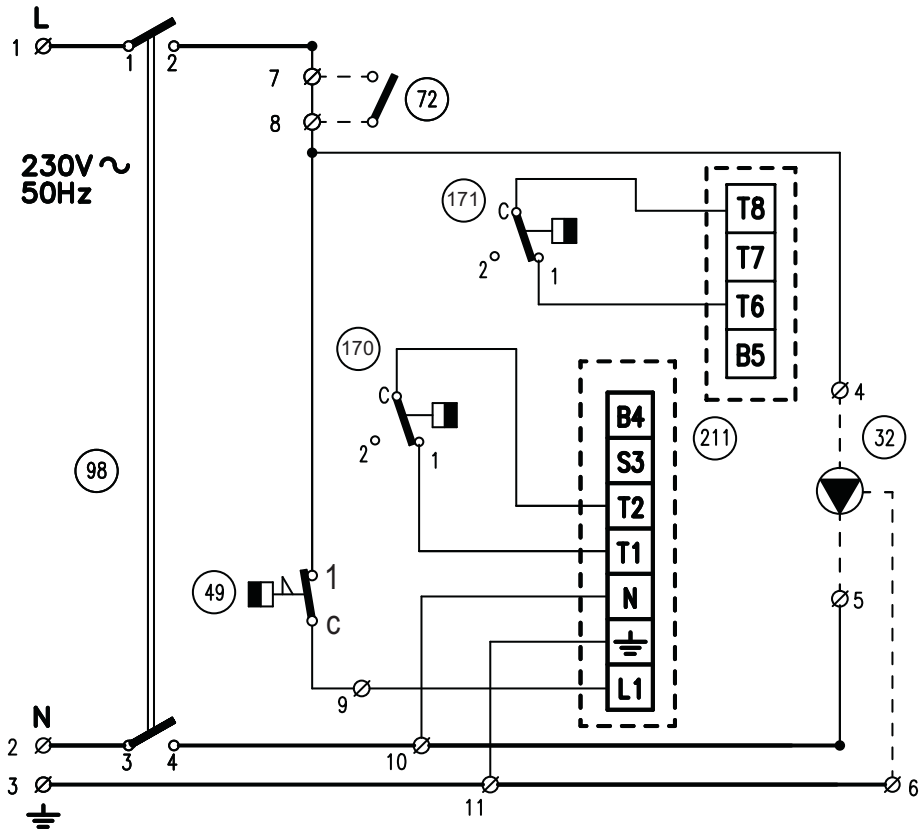


fig. 9 - Main wiring diagram EL-DB N 95

Electrical connection diagram EL-DB N 95

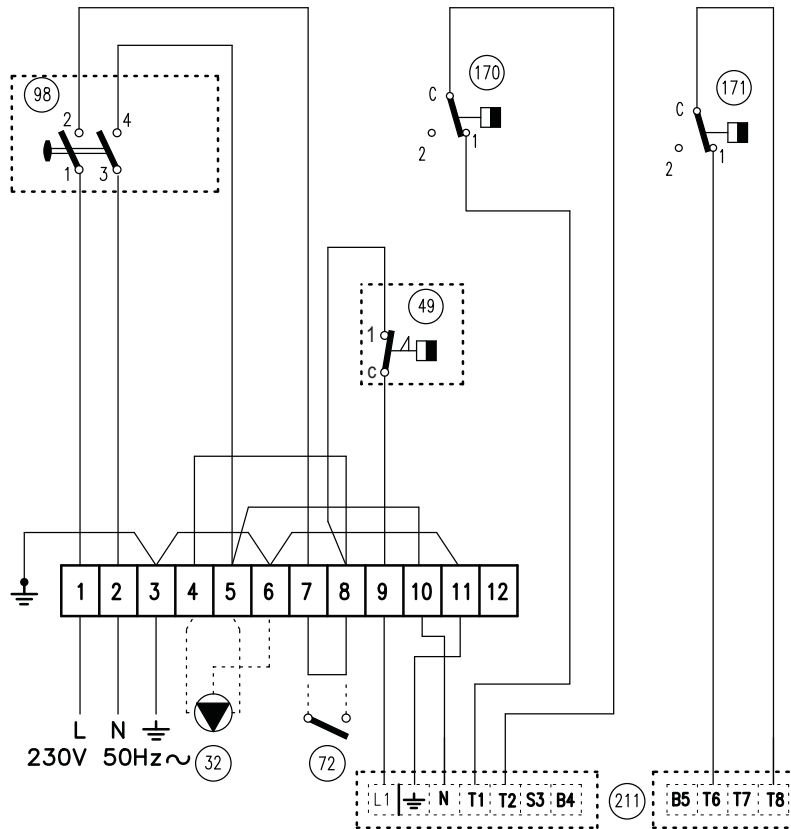


fig. 10 - Electrical connection diagram EL-DB N 95

Key fig. 9 and fig. 10

- 32 Heating circulating pump (not supplied)
- 49 Safety thermostat
- 72 Room thermostat (not supplied)
- 98 Switch
- 170 1st Stage boiler control thermostat
- 171 2nd Stage boiler control thermostat
- 211 Burner connector (not supplied)

1. GÉNÉRALITÉS

- Lire attentivement les avertissements contenus dans le présent livret d'instructions
- Après l'installation de la chaudière, l'installateur doit informer l'utilisateur sur son fonctionnement et lui remettre le présent livret qui fait partie intégrante et essentielle du produit ; en outre, il doit être conservé avec soin pour toute consultation future
- L'installation et la manutention doivent être effectuées conformément aux normes en vigueur, selon les instructions du constructeur et par un personnel professionnel qualifié Toute opération sur les organes de réglage scellés est interdite
- Une installation incorrecte ou un entretien impropre peuvent entraîner des dommages à des personnes, à des animaux ou à des choses Le constructeur n'assume aucune responsabilité pour les dommages causés par des erreurs d'installation et d'utilisation et, dans tous les cas, en cas de non observation des instructions
- Avant d'effectuer toute opération de nettoyage ou d'entretien, isoler l'appareil du réseau d'alimentation électrique en actionnant l'interrupteur de l'installation et/ou au moyen des dispositifs d'isolement prévus
- Désactiver l'appareil en cas de panne et/ou de mauvais fonctionnement en s'abstenant de toute tentative de réparation ou d'intervention directe S'adresser uniquement à un personnel professionnel qualifié Les éventuelles réparations ou remplacements de composants devront être effectués uniquement par du personnel professionnel qualifié en n'utilisant que des pièces de rechange d'origine La non observance de ce qui précède compromet les conditions de sécurité de l'appareil
- Cet appareil ne peut servir que dans le cadre des utilisations pour lesquelles il a été conçu Tout autre usage doit être considéré comme impropre et donc dangereux
- Les éléments du conditionnement ne peuvent être laissés à la portée des enfants étant donné qu'ils pourraient être la source potentielle de dangers
- Cet appareil n'est pas prévu pour être utilisé par des personnes (y compris les enfants) dont les capacités physiques, sensorielles ou mentales sont réduites, ou des personnes dépourvues d'expérience ou des connaissances nécessaires, sauf si elles ont pu bénéficier, par l'intermédiaire d'une personne responsable de leur sécurité, d'une surveillance ou d'instructions préalables concernant l'utilisation de l'appareil.
- Mettre l'appareil et ses accessoires au rebut conformément aux normes en vigueur.
- Les images contenues dans ce manuel ne sont qu'une représentation simplifiée du produit Cette représentation peut présenter de légères différences, non significatives, par rapport au produit

LA DÉCLARATION CE DE CONFORMITÉ PEUT ÊTRE DEMANDÉE AU FABRICANT.

2. INSTRUCTIONS D'UTILISATION

2.1 Introduction

Cher Client,

Nous vous remercions d'avoir choisi **LAMBORGHINI**, une chaudière de conception avancée, de technologie d'avant-garde, de fiabilité élevée et de haute qualité constructive. Lire attentivement les instructions contenues dans la présente notice, car elles fournissent des indications importantes concernant la sécurité d'installation, l'utilisation et l'entretien de l'appareil.

EL-DB N est un générateur de chaleur à haut rendement destiné au chauffage et à la production d'eau chaude sanitaire, pouvant fonctionner avec des brûleurs gaz soufflés ou fioul. Le corps du générateur de chaleur se compose d'éléments en fonte bicônes et tirants en acier, dont la conformation particulière garantit une répartition idéale des ailettes pour une efficacité thermique optimale et une grande économie d'énergie.

2.2 Tableau des commandes

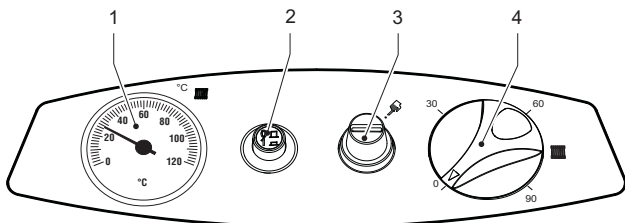


fig. 1 - Tableau de contrôle des modèles EL-DB N 32-78

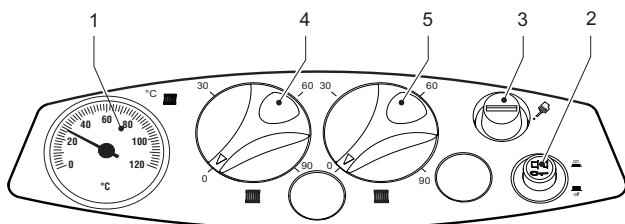


fig. 2 - Tableau de contrôle des modèles EL-DB N 95

Légende

- 1 = Thermomètre
- 2 = Interrupteur Marche/Arrêt
- 3 = Thermostat de sécurité à réarmement manuel
- 4 = Bouton de réglage de la température 1er étage
- 5 = Bouton de réglage de la température 2e étage

2.3 Allumage et extinction

Allumage de la chaudière

Ouvrir les vannes d'arrêt du combustible.

Mettre l'appareil sous tension.

Appuyer sur le bouton 2 de fig. 1 pour alimenter la chaudière et le brûleur. Voir la notice du brûleur pour le fonctionnement correspondant.

Extinction de la chaudière

Pour de courtes périodes d'arrêt, il suffit d'appuyer sur le bouton 2 de fig. 1, situé sur le panneau des commandes, et de le porter sur la position "0". Si le poêle est destiné à rester inutilisé pendant une longue période, agir non seulement sur le bouton 2, mais fermer également la vanne d'arrêt sur la ligne du combustible. Pour les arrêts prolongés en période hivernale et afin d'éviter les dommages causés par le gel, il est conseillé d'introduire l'antigel approprié dans l'installation de chauffage ou de vider complètement l'installation en question.

2.4 Réglages

Réglage de la température de chauffage

Programmer la température souhaitée à l'intérieur de l'habitation au moyen du thermostat fig. 1d'ambiance 4 de .

Pour le modèle **EL-DB N 95**, programmer ensuite la température du 2e étage à l'aide du thermostat de réglage **5** à une température **qui devra être 10°C inférieure** à celle du 1er étage.

IMPORTANT : la température du 2e étage doit toujours être programmée sur une valeur inférieure de celle du 1er étage..

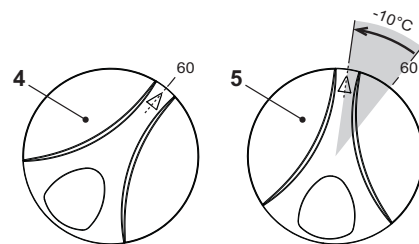


fig. 3 - Réglage de la température modèle EL-DB N 95

Régulation de la température ambiante (par thermostat d'ambiance en option)

Programmer à l'aide du thermostat d'ambiance la température souhaitée à l'intérieur des pièces. Si le thermostat d'ambiance n'est pas monté, la chaudière maintiendra la température dans l'installation à la consigne départ.

3. INSTALLATION

3.1 Dispositions générales

L'INSTALLATION DE LA CHAUDIÈRE DOIT ÊTRE EFFECTUÉE CONFORMÉMENT AUX TEXTES RÉGLEMENTAIRES ET RÈGLES DE L'ART EN VIGUEUR, SUIVANT LES INSTRUCTIONS DU CONSTRUCTEUR ET PAR UN PROFESSIONNEL QUALIFIÉ.

3.2 Emplacement

La chaudière doit être installée dans un local approprié, muni d'ouvertures d'aération vers l'extérieur en conformité avec les normes en vigueur. En présence de plusieurs brûleurs ou aspirateurs dans le même local qui fonctionnent simultanément, les ouvertures d'aération doivent être dimensionnées pour le fonctionnement de tous les appareils. Le lieu d'installation doit être exempt de tous objets ou matériaux inflammables, gaz corrosifs, poussières et substances volatiles: aspirés par le ventilateur du brûleur, ces éléments pourraient boucher les conduits internes du brûleur ou la tête de combustion. Le local d'installation du brûleur doit en outre être sec et à l'abri de la pluie, de la neige et du gel.

Si l'appareil est installé entre deux meubles ou juxtaposé, prévoir de l'espace pour le démontage du manteau et pour l'entretien normal. S'assurer en particulier qu'après le montage du brûleur sur la porte avant de la chaudière, la porte en question puisse s'ouvrir sans que le brûleur n'aille buter contre les parois ou autres obstacles.

3.3 Raccordements hydrauliques

La capacité thermique de l'appareil sera préalablement définie à l'aide d'un calcul des besoins caloriques de l'édifice, conformément aux normes en vigueur. L'installation doit comprendre tous les accessoires requis pour garantir un fonctionnement correct et régulier. Il est conseillé d'installer entre la chaudière et le circuit, des vannes d'arrêt (ou d'isolement) permettant, au besoin, d'isoler la chaudière de l'installation.

L'évacuation de la soupape de sûreté doit être raccordée à un entonnoir d'écoulement, ou à une tuyauterie de récupération, pour éviter le dégorgement d'eau au sol en cas de surpression dans le circuit de chauffage. Dans le cas de non-respect de la règle ci-dessus, le fabricant de la chaudière ne saurait être tenu pour responsable de l'intervention de la soupape de sécurité et donc consécutivement de l'inondation de la pièce ou du local.

Ne pas utiliser les tuyauteries hydrauliques comme mise à la terre de l'installation électrique ou d'appareils électriques.

Avant l'installation, laver soigneusement toutes les tuyauteries de l'installation afin d'éliminer toutes les impuretés ou résidus risquant de compromettre le bon fonctionnement de l'appareil.

Effectuer les raccordements aux points prévus, comme indiqué sur le dessin de cap. 5 et conformément aux pictogrammes se trouvant sur l'appareil.

L'appareil est livré sans vase d'expansion. Son raccordement doit donc être effectué par l'installateur. Nous rappelons à ce propos que la pression de l'installation, à froid, doit être de 1 bar.

Caractéristiques de l'eau de l'installation

En présence d'une eau ayant un degré de dureté supérieur à 25° Fr (1°F = 10ppm CaCO₃), il est recommandé d'utiliser une eau spécialement traitée afin d'éviter toute incrustation éventuelle dans la chaudière. Le traitement ne doit pas réduire la dureté à des valeurs inférieures à 15°F (DPR 236/88, utilisation de l'eau destinée à la consommation humaine). Le traitement de l'eau utilisée s'impose également dans le cas de circuits d'installation très étendus ou d'appoints fréquents d'eau dans l'installation.



En présence d'installation de détartrants au niveau de l'entrée de l'eau froide dans la chaudière, faire particulièrement attention à ne pas réduire de façon excessive la dureté de l'eau car cela entraînerait une dégradation prématurée de l'anode de magnésium du ballon.

Système antigel, produits antigel, additifs et inhibiteurs

Si nécessaire, il est possible d'utiliser des liquides antigel, des additifs et des inhibiteurs, mais uniquement si leur fabricant garantit que ses produits sont adaptés à cette utilisation et n'endommagent pas l'échangeur thermique ou d'autres composants et/ou matériaux de la chaudière et de l'installation. Il est interdit d'utiliser des liquides antigel, des additifs et des inhibiteurs non spécifiquement prévus pour l'utilisation dans des circuits thermiques et compatibles avec les matériaux composant la chaudière et le circuit.

3.4 Raccordement du brûleur

Le brûleur à gazole ou à gaz, à air soufflé pour foyers pressurisés, peut être utilisé si ses caractéristiques de fonctionnement sont adaptées aux dimensions du foyer de la chaudière et à sa surpression. Le brûleur doit être choisi préliminairement en respectant les instructions du fabricant, en fonction du domaine de travail, des consommations de combustible et des pressions, ainsi que de la longueur de la chambre de combustion. Le brûleur doit être monté conformément aux instructions de son fabricant.

3.5 Raccordements électriques

Raccordement au réseau électrique



La sécurité électrique de l'appareil ne peut être assurée que lorsque celui-ci est correctement raccordé à un dispositif de mise à la terre efficace conformément aux normes électriques en vigueur. Faire vérifier par un professionnel qualifié l'efficacité et la conformité du dispositif de mise à la terre. Le constructeur ne saurait être tenu pour responsable des dommages éventuels découlant de l'absence de connexion de mise à la terre efficace. Faire vérifier que l'installation électrique est adaptée à la puissance maximale absorbée par l'appareil, indiquée sur la plaque signalétique de la chaudière.

La chaudière est précâblée; le câble de raccordement au réseau électrique est de type "Y" sans fiche. Les connexions au réseau électrique doivent être réalisées par raccordement fixe et dotées d'un interrupteur bipolaire avec une distance entre les contacts d'ouverture d'au moins 3 mm, en interposant des fusibles de 3A maximum entre la chaudière et la ligne. Il est important de respecter la polarité (LIGNE: câble marron / NEUTRE: câble bleu / TERRE: câble jaune-vert) dans les raccordements au réseau électrique. Lors de l'installation ou du remplacement du câble d'alimentation, la longueur du conducteur de terre doit être de 2 cm plus longue des autres.



Le câble d'alimentation de l'appareil ne doit pas être remplacé par l'utilisateur. En cas d'endommagement du câble, éteindre l'appareil et confier exclusivement son remplacement à un professionnel qualifié. En cas de remplacement du câble d'alimentation, utiliser exclusivement un câble "HAR H05 VV-F" 3x0,75 mm² avec diamètre extérieur de 8 mm maximum.

Accès au bornier électrique

Dévisser les deux vis "A" situées sur la partie supérieure du panneau de commande, et enlever le volet "B".

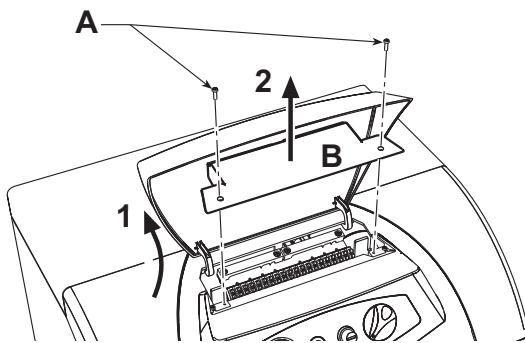


fig. 4 - Accès au bornier

3.6 Raccordement au conduit de fumée

L'appareil peut être raccordé à une cheminée conçue et construite conformément aux normes en vigueur. Le conduit entre la chaudière et la cheminée doit être en matériau adapté à cette fonction, c'est-à-dire qu'il doit résister à la chaleur et à la corrosion. Il est recommandé de soigner l'étanchéité dans les points de jonction et de calorifuger toute la conduite entre la chaudière et la cheminée, pour éviter la formation d'eau de condensation.

4. UTILISATION ET ENTRETIEN

Toutes les opérations de réglage, de transformation, de mise en service et d'entretien décrites ci-après doivent être effectuées par un professionnel qualifié conformément aux textes réglementaires et règles de l'art en vigueur (par exemple, le personnel SAT de votre zone).

LAMBORGHINI décline toute responsabilité pour les dommages aux personnes et aux choses dérivant d'interventions sur l'appareil par des personnes non qualifiées et non autorisées.

4.1 Réglages

Réglage du brûleur

Le rendement de la chaudière et son fonctionnement correct dépendent en tout premier lieu de la précision des réglages du brûleur. Respecter scrupuleusement les instructions fournies par le fabricant correspondant. Le premier étage des brûleurs à deux étages doit être réglé sur une puissance non inférieure à la puissance minimale nominale de la chaudière. La puissance du deuxième stade ne doit pas dépasser la puissance nominale maximale de la chaudière.

4.2 Mise en service



Vérifications à effectuer au premier allumage et après toutes les opérations d'entretien ayant occasionné des débranchements des installations ou des interventions sur des dispositifs de sécurité ou parties de la chaudière :

Avant d'allumer la chaudière

- Ouvrir les soupapes d'arrêt éventuelles entre la chaudière et l'installation.
- Vérifier l'étanchéité de l'installation du combustible.
- Vérifier le préremplissage correct du vase d'expansion
- Remplir les tuyauteries et assurer l'évacuation complète de l'air dans la chaudière et les installations, en ouvrant la vanne d'évent d'air sur la chaudière et les vannes d'évent sur l'installation.
- Vérifier qu'il n'y ait pas de fuites d'eau dans l'installation ni dans la chaudière.
- Vérifier le raccordement de l'installation électrique et le fonctionnement de la mise à la terre
- Vérifier qu'il n'y ait pas de liquides ou de matériaux inflammables dans les alentours immédiats de la chaudière

Vérifications durant le fonctionnement

- Allumer l'appareil ainsi qu'il est décrit sez. 2.3.
- S'assurer de l'étanchéité des circuits combustible et eau.
- Contrôler l'efficacité de la cheminée et des conduits de fumée pendant le fonctionnement de la chaudière.
- Vérifier que la circulation d'eau entre la chaudière et l'installation s'effectue correctement.
- Vérifier que l'allumage de la chaudière se fasse correctement, en effectuant plusieurs essais d'allumage et d'extinction au moyen du thermostat d'ambiance et de la commande à distance.
- S'assurer que la consommation de combustible indiquée par le compteur corresponde à celle qui est indiquée sur le tableau des caractéristiques techniques sez. 5.3.
- Contrôler que la porte du brûleur et le volet de la chambre des fumées sont étanches.
- Contrôler que le brûleur fonctionne correctement. Pour ce contrôle, utiliser les outils corrects et suivre les instructions du constructeur.

4.3 Entretien

Contrôle périodique

Pour s'assurer un fonctionnement correct et durable de l'appareil, faire effectuer par un professionnel qualifié un contrôle annuel qui prévoit les opérations décrites ci-après.

- Les dispositifs de commande et de sécurité doivent fonctionner correctement.
- Le circuit d'évacuation des fumées doit être parfaitement efficace.
- S'assurer que les tuyauteries d'alimentation et de retour du combustible ne sont pas bouchées ni endommagées.
- Nettoyer le filtre d'aspiration du combustible.
- Noter la consommation de combustible correcte
- Effectuer le nettoyage de la tête de combustion dans la zone de sortie du combustible, sur le disque de turbulence.
- Faire fonctionner le brûleur à pleine allure pendant dix minutes et analyser la combustion en vérifiant :
 - les réglages corrects de tous les éléments indiqués dans la présente notice
 - Les températures des fumées au conduit de fumée
 - Pourcentage de CO₂
- Les conduits et le terminal air-fumées doivent être libres de tout obstacle et ne pas présenter de fuites
- Le brûleur et l'échangeur doivent être en parfait état de propreté et détartrés. Pour le nettoyage ne pas utiliser de produits chimiques ni de brosses en acier.
- Les installations de gaz et d'eau doivent être parfaitement étanches.
- La pression de l'eau dans l'installation à froid doit être d'environ 1 bar ; si ce n'est pas le cas, ramener la pression à cette valeur.
- La pompe de circulation ne doit pas être bloquée.
- Le vase d'expansion (non fourni) doit être rempli.



L'éventuel nettoyage de l'habillage, du tableau de commande et des "enjoleurs" de la chaudière peut être effectué avec un chiffon doux et humide, éventuellement imbibé d'eau savonneuse. Tous les produits abrasifs et solvants sont à proscrire.

Nettoyage de la chaudière

1. Couper l'alimentation électrique de la chaudière.
2. Ôter le panneau avant supérieur et le panneau inférieur.
3. Dévisser les pommeaux de la porte pour l'ouvrir.
4. Nettoyer l'intérieur de la chaudière et tout le parcours des fumées à l'aide d'un écouvillon ou de l'air comprimé.
5. Refermer la porte avant de la bloquer à l'aide du pommeau correspondant.

Pour nettoyer le brûleur, consulter les instructions fournies par le fabricant.

4.4 Dépannage

Anomalies

Il peut se produire deux conditions de blocage pouvant être rétablies par l'utilisateur :

- A** Blocage du brûleur signalé par le témoin correspondant. Voir la notice du brûleur.
- B** Déclenchement du thermostat de sécurité qui ne se produit que lorsque la température dans la chaudière atteint une valeur qui peut engendrer une situation de danger. Pour rétablir le fonctionnement, dévisser le bouchon 3 de fig. 1 et appuyer sur le bouton de réarmement se trouvant en dessous.

Si le problème se répète, demander l'intervention du Service d'assistance technique.

En cas de panne et/ou de dysfonctionnement de l'appareil, l'utilisateur doit le mettre hors service et s'abstenir de toute tentative de réparation ou d'intervention directe. S'adresser uniquement à un professionnel qualifié.

5. CARACTÉRISTIQUES ET DONNÉES TECHNIQUES

5.1 Dimensions, raccords et composants principaux

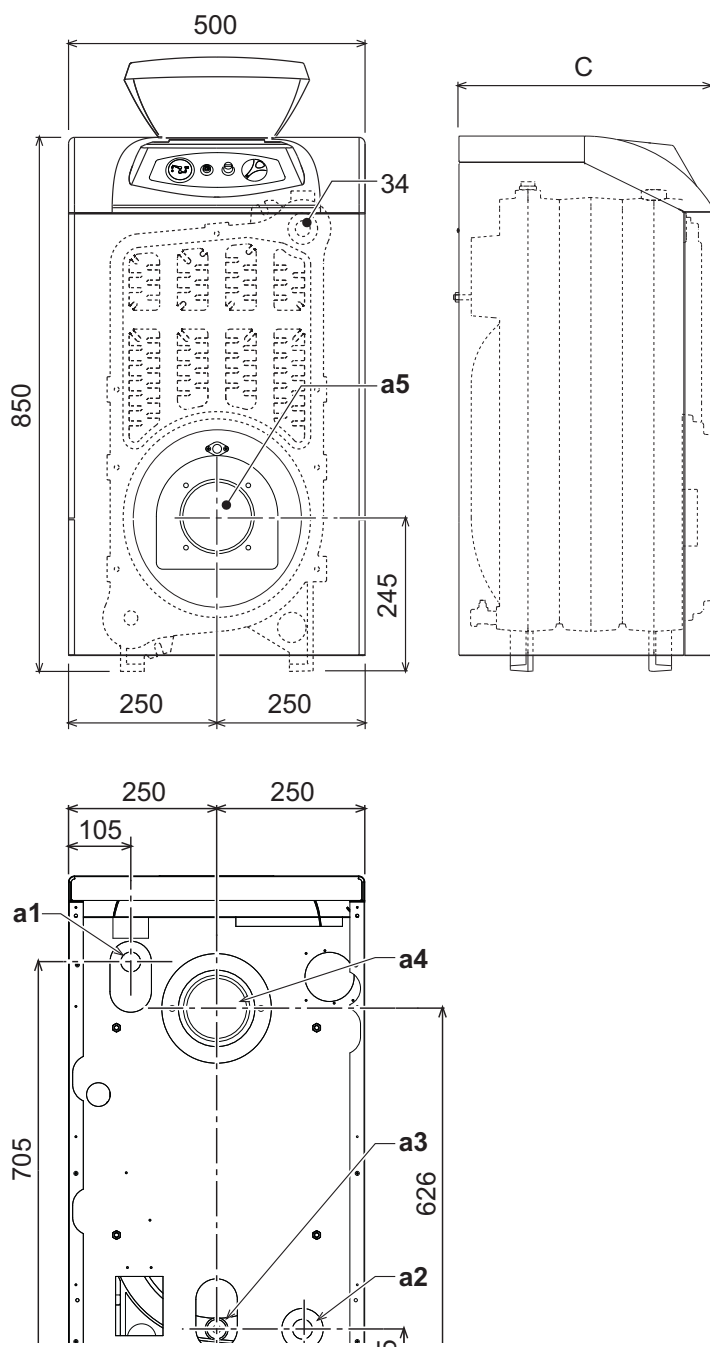


fig. 5 - Dimensions, raccords et composants principaux

Modèle	C mm	a4 Ø mm	a5 Ø mm
EL-DB N 32	400	120+130	115
EL-DB N 47	500	120+130	115
EL-DB N 62	600	120+130	115
EL-DB N 78	700	120+130	115
EL-DB N 95	800	120+130	115

- a1** Départ installation - 1" 1/2"
a2 Retour installation - 1" 1/2"
a3 Évacuation installation de chauffage - 1/2"
a4 Raccordement cheminée
a5 Raccordement brûleur
34 Bulbe température de chauffage et sécurité

5.2 Perte de charge

Perte de charge côté eau

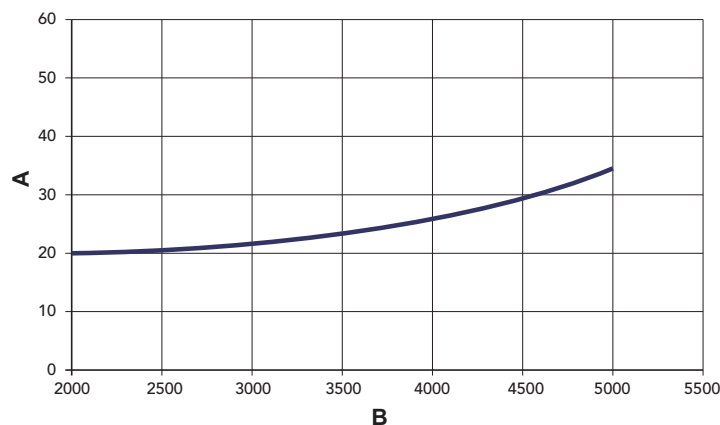


fig. 6 - Pertes de charge

- A** mbar
B Débit l/h

5.3 Tableau des caractéristiques techniques

Modèle		EL-DB N 32	EL-DB N 47	EL-DB N 62	EL-DB N 78	EL-DB N 95	
Nombre d'éléments	n°	3	4	5	6	7	
Puissance thermique maxi	kW	34.9	51.6	67.7	85.6	103	(Q)
Puissance thermique mini	kW	17.0	34.3	45.8	59.0	70.8	(Q)
Puissance thermique maxi chauffage	kW	32	47	62	78	95	(P)
Puissance thermique mini chauffage	kW	16	32	43	55	66	(P)
Rendement Pmax (80-60 °C)	%	91.7	91.1	91.5	91.1	92	
Rendement 30%	%	94.3	93.5	94.0	93.5	93.8	
Pression maxi d'utilisation chauffage	bar	6	6	6	6	6	(PMS)
Pression mini d'utilisation chauffage	bar	0.8	0.8	0.8	0.8	0.8	
Température maxi chauffage	°C	95	95	95	95	95	(tmax)
Capacité eau installation chauffage	l	18	23	28	33	38	
Degré de protection	IP	X0D	X0D	X0D	X0D	X0D	
Tension d'alimentation	V/Hz	230/50	230/50	230/50	230/50	230/50	
Poids à vide	kg	127	166	205	244	283	
Longueur chambre de combustion	mm	350	450	550	650	750	
Diamètre chambre de combustion	mm	300	300	300	300	300	
Perte de charge côté fumées	mbar	0.2	0.27	0.4	0.4	0.63	

5.4 Schéma électrique

Schéma électrique de base EL-DB N 32-78

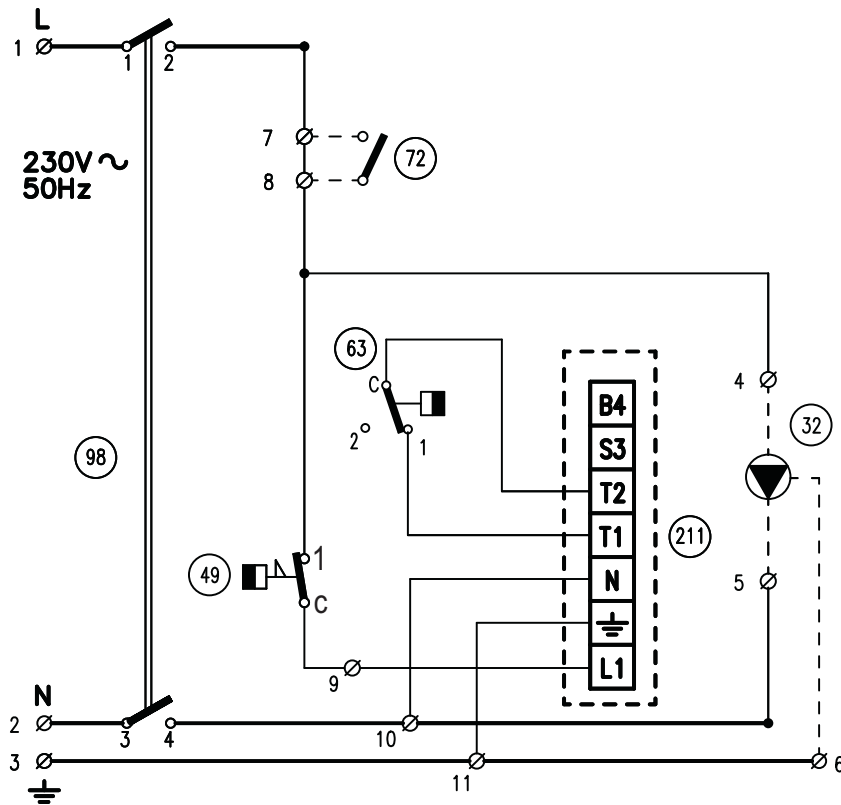


fig. 7 - Schéma électrique de base EL-DB N 32-78

Schéma électrique de raccordement EL-DB N 32-78

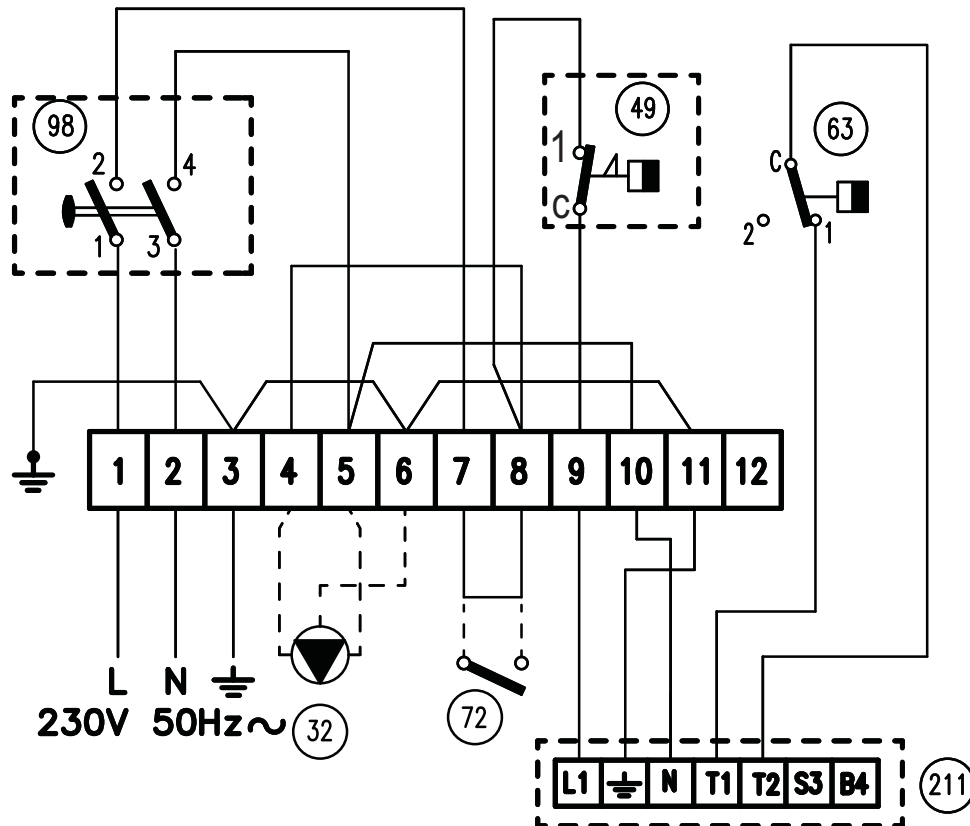


fig. 8 - Schéma électrique de raccordement EL-DB N 32-78

Légende fig. 7 et fig. 8

- 32 Circulateur de chauffage (non fourni)
- 49 Thermostat de sécurité
- 72 Thermostat d'ambiance (non fourni)
- 63 Thermostat réglage chaudière
- 98 Interrupteur
- 211 Connecteur brûleur (non fourni)

Schéma électrique de base EL-DB N 95

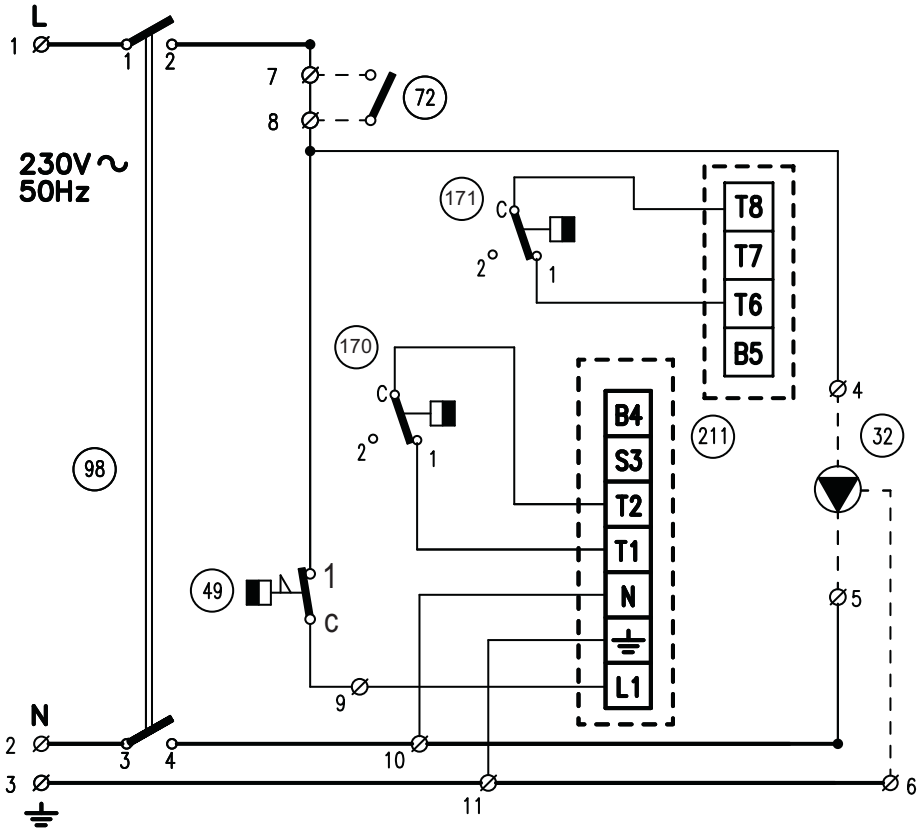


fig. 9 - Schéma électrique de base EL-DB N 95

Schéma électrique de raccordement EL-DB N 95

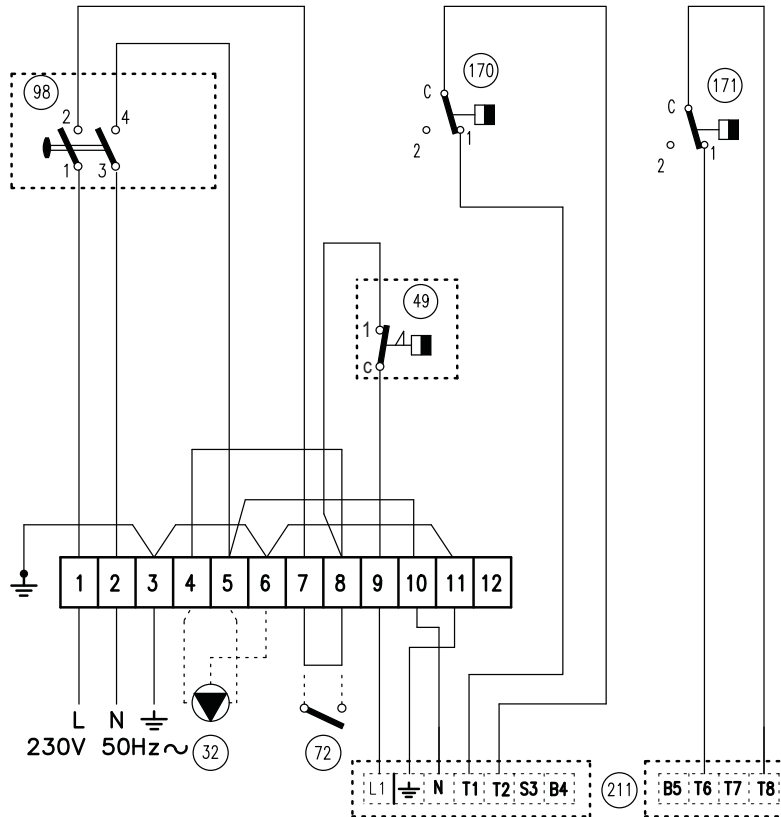




fig. 10 - Schéma électrique de raccordement EL-DB N 95


Légende fig. 9 et fig. 10

- 32 Circulateur de chauffage (non fourni)
- 49 Thermostat de sécurité
- 72 Thermostat d'ambiance (non fourni)
- 98 Interrupteur
- 170 Thermostat de réglage chaudière 1er étage
- 171 Thermostat de réglage chaudière 2e étage
- 211 Connecteur brûleur (non fourni)



- Внимательно прочитайте предупреждения, содержащиеся в настоящем руководстве
- После установки котла проинформируйте пользователя о принципе работы аппарата и передайте ему настоящее руководство; оно является существенной и неотъемлемой частью изделия и должно быть бережно сохранено для использования в будущем
- Установка и техническое обслуживание должны осуществляться квалифицированными специалистами в соответствии с действующими нормативами, согласно инструкциям изготовителя и прошедшим курс обучения в специализированном центре. Запрещается выполнять какие-либо операции с опломбированными регулировочными устройствами. Запрещается выполнять какие-либо работы на опломбированных регулировочных устройствах
- Неправильная установка или ненадлежащее техническое обслуживание могут быть причиной вреда для людей, животных и имущества. Изготовитель не несет никакой ответственности за ущерб, связанный с ошибочными установкой и эксплуатацией аппарата, а также с несоблюдением предоставленных им инструкций
- Перед выполнением любой операции очистки или технического обслуживания отсоедините прибор от сетей питания с помощью главного выключателя и/или предусмотренных для этой цели отсечных устройств
- В случае неисправной и/или ненормальной работы агрегата, выключите его и воздерживайтесь от любой попытки самостоятельно отремонтировать или устранить причину неисправности. В таких случаях обращайтесь исключительно к квалифицированному персоналу. Возможные операции по ремонту-замене комплектующих должны выполняться только квалифицированными специалистами с использованием исключительно оригинальных запчастей. Несоблюдение всего вышеуказанного может нарушить безопасность работы агрегата
- Настоящий агрегат допускается использовать только по тому назначению, для которого он спроектирован и изготовлен. Любое другое его использование следует считать ненадлежащим и, следовательно, опасным
- Упаковочные материалы являются источником потенциальной опасности и не должны быть оставлены в местах, доступных детям.
- Не разрешается использование агрегата лицами (в том числе, детьми) с ограниченными физическими, сенсорными или умственными возможностями или лицами без надлежащего опыта и знаний, если они не находятся под непрерывным надзором или проинструктированы начет правил безопасного использования агрегата.
- Приведенные в настоящей руководстве изображения дают упрощенное представление изделия которое может существенно отличаться от готового изделия
- УКАЗАНИЯ ПО УТИЛИЗАЦИИ ОБОРУДОВАНИЯ**
Утилизация оборудования должна производиться в специализированных предприятиях согласно действующему законодательству.
- УКАЗАНИЯ ПО ХРАНЕНИЮ ОБОРУДОВАНИЯ**
Для обеспечения правильных условий хранения, строго придерживайтесь указаний в руководстве по эксплуатации и маркировке на упаковке. Оборудование должно храниться в закрытом и сухом помещении, в отсутствие токопроводящей пыли и паров химически активных веществ, разрушающих изоляцию токопроводов. Срок хранения не должен превышать 24 месяца. По истечении 24 месяцев необходима проверка целостности оборудования.
- РЕСУРС РАБОТЫ И СРОК СЛУЖБЫ**
Срок службы зависит от условий эксплуатации, установки и технического обслуживания. Установка оборудования должна производиться в соответствии с действующим законодательством, а изнашивающиеся детали должны быть своевременно заменены. Решение о прекращении эксплуатации, списании и утилизации принимает Владелец исходя из фактического состояния оборудования и затрат на ремонт. Срок службы - 10 лет.
- Заводская табличка находится на задней стороне котла.

	Данный символ означает "Осторожно" и сопровождает все указания, касающиеся безопасности. Строго придерживайтесь таких указаний во избежание опасности вреда для здоровья людей и животных и материального ущерба.
	Данный символ обращает внимание на важное указание или предупреждение.


Lamborghini
 CALORECLIMA


Manufacturer / Производитель: **FERROLI S.p.A.**
 Manufacturer address: **37047 SAN BONIFACIO (VR)**
 Адрес производителя: **via Ritonda 78/A**


Model/Модель: **EL-DB N 32**
 Code / Код: **0IHJ3DWD**
 Котёл отопительный чугунный газовый

		макс	мин			
Q _{nw} (Hi)	-	кВт	PMS	6 бар	PMW	бар
Q _n (Hi)	34.9 - 17.0	кВт	t _{max}	95 °C	D	л/мин
P _n 80°-60°	32.0 - 16.0	кВт	H ₂ O	18 л		
P _n 50°-30°	-	кВт	Класс NOx			

~230В/ 50Гц 5Вт IPXD


Сделано в Италии

Serial number
Серийный номер: 

Barcode EAN13:
Штрих-код EAN13: 

Production date: See the manual
Дата производства: Смотрите инструкцию

Данный прибор должен устанавливаться в соответствии с действующей инструкцией по монтажу и работать только в помещении с достаточной вентиляцией. Изучите инструкцию, прежде чем устанавливать прибор и вводить его в эксплуатацию. Нарушение требований инструкции по монтажу, технического обслуживания и правил эксплуатации прибора может привести к опасности возникновения пожара, взрыва, отравления угарным газом, поражения электрическим током и термического воздействия.



Q _{nw} (Hi)	Макс. теплопроизводительность системы ГВС (Hi)
Q _n (Hi)	Макс. теплопроизводительность системы отопления (Hi)
P _n 80-60°C	Макс. теплопроизводительность системы отопления (80/60°C)
P _n 50-30°C	Макс. теплопроизводительность системы отопления (50/30°C)
PMS	Макс. рабочее давление в системе отопления
t _{max}	Макс. температура в системе отопления
H ₂ O	Объем воды в системе ГВС
NOx	Класс по выбросам NOx
PMW	Макс. рабочее давление в системе ГВС
D	Расход ГВС при Δt 30°C

Serial Number		18 = Год выпуска
		20 = Производственная неделя
		G8 = Линия сборки
		0022 = Прогрессивное число

Маркировочная табличка находится на правой стороне агрегата.

1. ИНСТРУКЦИИ ПО ЭКСПЛУАТАЦИИ

1.1 Предисловие

Уважаемый покупатель,

Благодарим Вас за то, что Вы выбрали котел производителя, имеющий самую современную конструкцию, выполненный по передовым технологиям и отличающийся высокой надежностью и качеством. Просим Вас внимательно прочитать настоящее руководство, т.к. в нем приводятся важные указания по безопасности установки, эксплуатации и технического обслуживания агрегата.

EL-DB N Котел представляет собой тепловой генератор для отопления и ГВС, в котором могут быть использованы жидкотопливные или газовые горелочные устройства с поддувом. Корпус котла собран из чугунных элементов, соединенных между собой двухконусными кольцами и стяжными болтами из стали. Элементы с особым профилем и специальным расположением ребер обеспечивают достижение высокого термического КПД и значительную экономию энергии.

1.2 Панель управления

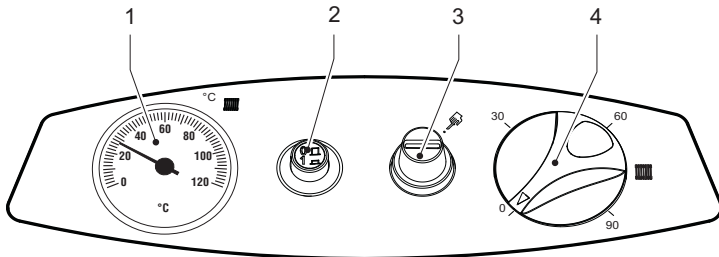


рис. 1 - Панель управления моделей EL-DB N 32 ч 78

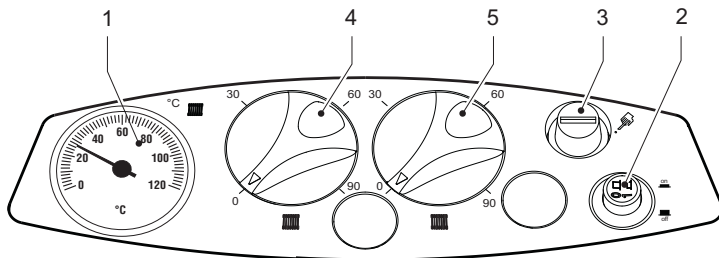


рис. 2 - Панель управления моделей EL-DB N 95

Легенда

- 1 = Термометр
- 2 = Главный выключатель
- 3 = Предохранительный термостат с ручным возвратом в рабочее состояние
- 4 = Ручка для регулировки температуры о 1-ой ступени
- 5 = Ручка для регулировки температуры 2-ой ступени

1.3 Включение и выключение

Включение котла

Откройте отсежные клапаны топлива.

Включите электропитание аппарата.

Нажмите кнопку 2 рис. 1, чтобы подать в котел и горелку напряжение. Описание принципа работы горелки и указания по ее эксплуатации смотреть в соответствующем руководстве.

Выключение котла

Для выключения котла на кратковременный период достаточно нажать кнопку 2 рис. 1 на пульте управления и перевести ее в положение "0". Для выключения котла на длительный период, помимо нажатия и поворота кнопки 2 в нулевое положение, обязательно закрыть отсежный клапан топлива. Во время длительного неиспользования котла в зимний период во избежание ущерба от возможного замерзания необходимо добавить соответствующий антифриз в систему отопления или полностью слить воду из системы.

1.4 Регулировки

Регулировка температуры воды в системе отопления

Установите желаемую температуру системы с помощью кнопки термостата 4 на рис. 1.

Для модели **EL-DB N 95** регулируйте температуру 2-ой ступени с помощью кнопки термостата 5 на 10°C ниже температуры 1-ой ступени.

ВАЖНОЕ ПРИМЕЧАНИЕ: температура 2-ой ступени должна быть всегда ниже температуры 1-ой ступени..

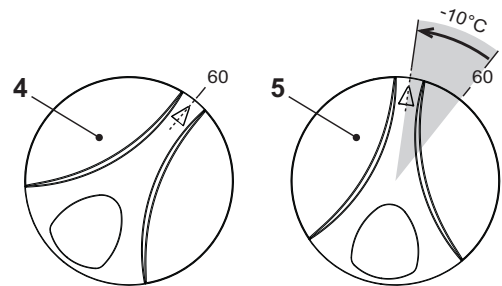


рис. 3 - Регулирование температуры модели EL-DB N 95

Регулировка температуры воздуха в помещении (с помощью опционального термостата температуры в помещении).

Задайте с помощью термостата температуры воздуха в помещении нужную температуру внутри помещения. При отсутствии термостата температуры воздуха в помещении котел обеспечивает поддержание в системе отопления заданной температуры воды.

2. МОНТАЖ

2.1 Указания общего характера

УСТАНОВКА И НАСТРОЙКА ГОРЕЛКИ ДОЛЖНА ОСУЩЕСТВЛЯТЬСЯ ТОЛЬКО СПЕЦИАЛИЗИРОВАННЫМ ПЕРСОНАЛОМ, ИМЕЮЩИМ ПРОВЕРЕННУЮ КВАЛИФИКАЦИЮ, ПРИ СОБЛЮДЕНИИ ПРИВЕДЕННЫХ В НАСТОЯЩЕМ ТЕХНИЧЕСКОМ РУКОВОДСТВЕ УКАЗАНИЙ, ПРЕДПИСАНИЙ ДЕЙСТВУЮЩЕГО ЗАКОНОДАТЕЛЬСТВА, ПОЛОЖЕНИЙ МЕСТНЫХ НОРМ И ПРАВИЛ, И В СООТВЕТСТВИИ С ПРИНЯТЫМИ ТЕХНИЧЕСКИМИ ТРЕБОВАНИЯМИ.

2.2 Место установки

Котел должен быть установлен в специально отведенном для этой цели помещении, имеющем отверстия, обеспечивающие достаточную вентиляцию в соответствии с действующими нормами. Если в одном помещении установлены некоторые горелки или вытяжные вентиляторы, которые могут одновременно находиться в работе, то размер вентиляционных отверстий должен быть достаточными для одновременной работы всех аппаратов. В месте установки котла не должны находиться огнеопасные предметы или материалы, едкие газы, пыль и другие летучие вещества, засасывание которых вентилятором может привести к загрязнению внутренних каналов горелки или горелочной головки. Помещение должно быть сухим и не подвергаться воздействию дождя, снега или мороза.

Если агрегат устанавливается среди мебели или боком к стене, следует предусмотреть свободное пространство, необходимое для демонтажа кожуха и проведения обычных работ по техобслуживанию. В частности убедиться, что после монтажа котла с горелкой на передней дверце, открывание последней не вызвало врезание горелки в стену или в соседнее оборудование

2.3 Гидравлические соединения

Расчет требуемой тепловой мощности котла производится предварительно, исходя из потребности здания в тепле, рассчитываемой по действующим нормам. Для обеспечения правильного и надежного функционирования система должна быть оснащена всеми необходимыми элементами. Рекомендуется установить между котлом и системой отопления отсежные клапаны, которые позволили бы в случае необходимости изолировать котел от системы.



Сливное отверстие предохранительного клапана должно быть соединено с воронкой или с канализацией во избежание попадания воды на пол в случае срабатывании клапана при превышении давления в отопительной системе. В противном случае изготовитель котла не несет никакой ответственности за затопление помещения при срабатывании предохранительного клапана.

Не используйте трубы системы водоснабжения для заземления электрических аппаратов.

Перед монтажом тщательно промойте все трубы системы для удаления остаточных загрязняющих веществ или посторонних включений, могущих помешать правильной работе агрегата.

Выполните подключение труб к соответствующим штуцерам, как показано на рисунке на и сар. 4 и согласно символам, имеющимся на самом аппарате.



Аппарат поставляется без расширительного бака установка и присоединение которого должно осуществляться монтажником Напоминаем, что давление в холодной системе должно составлять 1 бар

Характеристики воды для системы отопления

В случае, если жесткость воды превышает 25° Fr (1°F = 10 ppm CaCO₃), используемая вода должна быть надлежащим образом подготовлена, чтобы предотвращать образование накипи на котле. После подготовки жесткость воды не должна быть ниже 15°F (ДП 236/88 о подготовке воды, предназначенной для человеческого потребления). Водоподготовка обязательная, если система имеет большую протяженность или при частом выполнении подпитки системы.



Если в точке подвода холодной воды устанавливается устройство умягчения, обратитесь внимание на то, чтобы не слишком много снизить жесткость воды. На самом деле это может привести к преждевременному ухудшению свойств магниевого анода бойлера.

Система защиты от замерзания, жидкие антифризы, добавки и ингибиторы

Использование жидких антифризов, добавок и ингибиторов, разрешается в случае необходимости только и исключительно, если их изготовитель дает гарантию, подтверждающую, что его продукция отвечает данному виду использования и не причинит вреда теплообменнику котла и другим комплектующим и/или материалам, использованным в конструкции котла и системы. Запрещается использовать жидкости-антифризы, добавки и ингибиторы, не предназначенные специально для применения в тепловых установках и несовместимые с материалами, использованными в конструкции котла и системы.

2.4 Подключение горелки

Жидкотопливное или газовое горелочное устройство с поддувом для герметичных топков может быть использовано, если его рабочие характеристики соответствуют размерам топки котла и создаваемому в ней избыточному давлению. Выбор

горелки следует осуществлять на основании указаний изготовителя, с учетом рабочих параметров, расхода топлива и длины камеры сгорания котла. Монтаж горелки должен осуществляться согласно инструкциям изготовителя.

2.5 Электрические соединения

Подключение к сети электропитания



Электрическая безопасность аппарата обеспечивается только при его правильном подключении к контуру заземления, отвечающему требованиям действующих норм техники безопасности. Эффективность контура заземления и его соответствие нормам должны быть проверены квалифицированным персоналом. Изготовитель не несет никакой ответственности за ущерб, могущий быть причиненным отсутствием заземления агрегата. Удостоверьтесь также, что система электропитания соответствует максимальной потребляемой мощности агрегата, указанной на табличке номинальных данных.

Внутренние электрические соединения в котле уже выполнены, он снабжен также сетевым шнуром типа "Y" без вилки. Подключение к сети должно быть постоянным, причем между местом подключения к сети и котлом следует установить двухполюсный размыкатель с расстоянием между разомкнутыми контактами не менее 3 мм, а также предохранители макс. номиналом 3А. При подключении к сети важное значение имеет соблюдение полярности (фаза: коричневый провод / нейтраль: синий провод / земля: желто-зеленый провод). При монтаже или замене сетевого шнура земляной провод должен быть выполнен на 2 см длиннее остальных.



Сетевой шнур агрегата не подлежит замене самим пользователем. В случае повреждения сетевого шнура выключите агрегат; обращайтесь для его замены исключительно к квалифицированным специалистам. В случае замены сетевого шнура используйте исключительно кабель типа "HAR H05 VV-F" 3x0,75 мм² с максимальным внешним диаметром 8 мм.

Доступ к клеммной коробке

Отвинтите оба винта "А" на задней стороне пульта управления и снимите крышку "В".

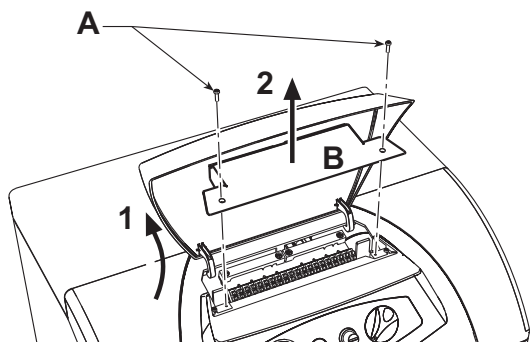


рис. 4 - Доступ к клеммной коробке

2.6 Подключение котла к дымоотводу

Аппарат должен быть подключен к дымоотводу, соответствующему действующим нормам. Дымовая труба, соединяющая котел с дымоотводом должна быть изготовлена из материала, устойчивого к температуре и коррозии. Места соединения труб должны быть надлежащим образом уплотнены, а для предотвращения образования конденсата дымоход рекомендуется утеплять по всей его длине.

3. ТЕХНИЧЕСКОЕ ОБСЛУЖИВАНИЕ

Все нижеописанные операции по регулировке, переоборудованию, вводу в эксплуатацию и техобслуживанию подлежат выполнению исключительно силами специалистов с высокой квалификацией (удовлетворяющими профессиональным техническим требованиям, предусмотренным действующим законодательством), таких как сотрудники обслуживающего вашу территорию сервисного центра.

LAMBORGHINI снимает с себя всякую ответственность за травмы или материальный ущерб, которые могут быть причинены в результате несанкционированного изменения конструкции агрегата неквалифицированными и неуполномоченными лицами.

3.1 Регулировки

Регулирование горелки

Правильность работы и коэффициент полезного действия котла зависят главным образом от точности регулировки горелки. Данная регулировка должна выполняться при тщательном соблюдении инструкции изготовителя. В двухступенчатых горелках мощность первой ступени следует регулировать так, чтобы она составляла не менее минимальной номинальной мощности котла. Мощность второй ступени не должна быть больше максимальной номинальной мощности котла.

3.2 Ввод в эксплуатацию



Контрольные операции, которые следует выполнять перед первым розжигом, а также после проведения технического обслуживания, во время которого котел был отсоединен от сетей питания или были произведены работы на предохранительных устройствах или деталях котла:

Перед включением котла

- Откройте запорные клапаны, расположенные между котлом и газопроводами.
- Проверьте герметичность системы подачи топлива.
- Проверьте правильность давления в расширительном баке
- Заполните водой систему и полностью спустите воздух котла и из системы, открыв воздуховыпускной вентиль на котле и (если таковые имеются)

воздуховыпускные вентили, установленные в различных местах системы отопления.

- Удостоверьтесь в отсутствии утечек воды из системы отопления, контура ГВС, из котла и в различных соединениях.
- Проверьте правильность выполнения электрических соединений и эффективность заземления
- Проверьте, что в непосредственной близости от котла не находятся огнеопасные жидкости и материалы.

Контрольные операции во время работы

- Включите агрегат, как описано в sez. 1.3.
- Удостоверьтесь в герметичности камеры сгорания и гидравлической системы.
- Проверьте эффективность функционирования дымоходов (для притока воздуха и удаления продуктов сгорания) во время работы котла.
- Удостоверьтесь в правильности циркуляции воды между котлом и системой.
- Проверьте зажигание горелки, осуществив различные испытания по включению и выключению котла с помощью термостата температуры воздуха в помещении или устройства дистанционного управления.
- Удостоверьтесь по показаниям счетчика, что расход газа соответствует величине, указанной в таблице технических данных в sez. 4.3.
- Проверьте герметичность дверцы горелки и дымовой камеры.
- Проверьте правильность работы горелки. Настоящий контроль осуществляется с помощью предусмотренных для этой цели приборов, следуя указаниям изготовителя.

3.3 Техническое обслуживание

Периодические проверки

Для обеспечения эффективной работы агрегата в течение продолжительного времени необходимо обеспечить выполнение силами квалифицированных специалистов следующих проверок:

- Элементы управления и предохранительные устройства должны работать правильно.
- Тракт удаления продуктов сгорания должен быть полностью исправным.
- Проверьте, чтобы в трубах подачи топлива и в обратной трубе не было засоров, и чтобы на них не было вмятин.
- Прочистите фильтр в линии всасывания топлива.
- Проверьте правильный расход топлива.
- Выполняйте очистку горелочной головки на участке выхода топлива и на диске завихрения потока.
- Дайте горелке поработать на полной мощности в течение примерно десяти минут и выполните проверку процесса горения. Проверьте:
 - настройку всех элементов, указанных в данном руководстве
 - температуру дымовых газов в дымовой трубе
 - процентное содержание CO₂
- Воздуховоды (для притока воздуха и удаления продуктов сгорания) должны быть свободными от каких-либо препятствий и не иметь утечек
- Горелку и теплообменник должны находиться в чистоте, на них не должно быть накипи. Для их чистки не применяйте химические средства или стальные щетки.
- Все газовые и гидравлические соединения должны быть герметичными.
- Давление воды в холодной системе должно составлять около 1 бар; в противном случае приведите его к этой величине.
- Циркуляционный насос не должен быть заблокированным.
- Расширительный бак (не входит в поставку) должен быть заполнен.



Чистку кожуха, панели управления и других наружных "эстетических" деталей котла можно производить с помощью мягкой тряпки, смоченной в мыльном растворе воды. Следует исключить при этом применение лубких абразивных моющих средств и растворителей.

Очистка котла

1. Отключите котел от сети электропитания.
2. Демонтируйте верхнюю и нижнюю лицевые панели.
3. Откройте дверцу, открутив соответствующие ручки.
4. Чистите внутреннюю часть котла и весь дымоотводящий тракт с помощью ерша или сжатым воздухом.
5. Выполнив очистку, закройте дверцу и закрепите ее соответствующей ручкой.

Для очистки горелки следуйте указаниям изготовителя.

3.4 Устранение неисправностей

Неисправности

Во время работы могут возникнуть два вида неисправности, причина которых может быть устранена пользователем:

- A** Блокировка горелки с соответствующим зажиганием сигнальной лампы. Смотрите руководство по эксплуатации горелки.
- B** Срабатывание предохранительного термостата в случае повышения температуры в котле до величины, могущей вызывать возникновение опасной ситуации. Для восстановления нормальных рабочих условий откройте пробку рис. 1 и нажмите под ней кнопку сброса.

В случае повторного возникновения неисправности обращайтесь к квалифицированному специалисту или в центр сервисного обслуживания.

В случае неисправной и/или ненормальной работы агрегата, выключите его и воздерживайтесь от любой попытки самостоятельно отремонтировать или устранить причину неисправности. Обращайтесь исключительно профессионально подготовленному и авторизованному персоналу.

4. ХАРАКТЕРИСТИКИ И ТЕХНИЧЕСКИЕ ДАННЫЕ

4.1 Размеры, присоединения и основные элементы котла

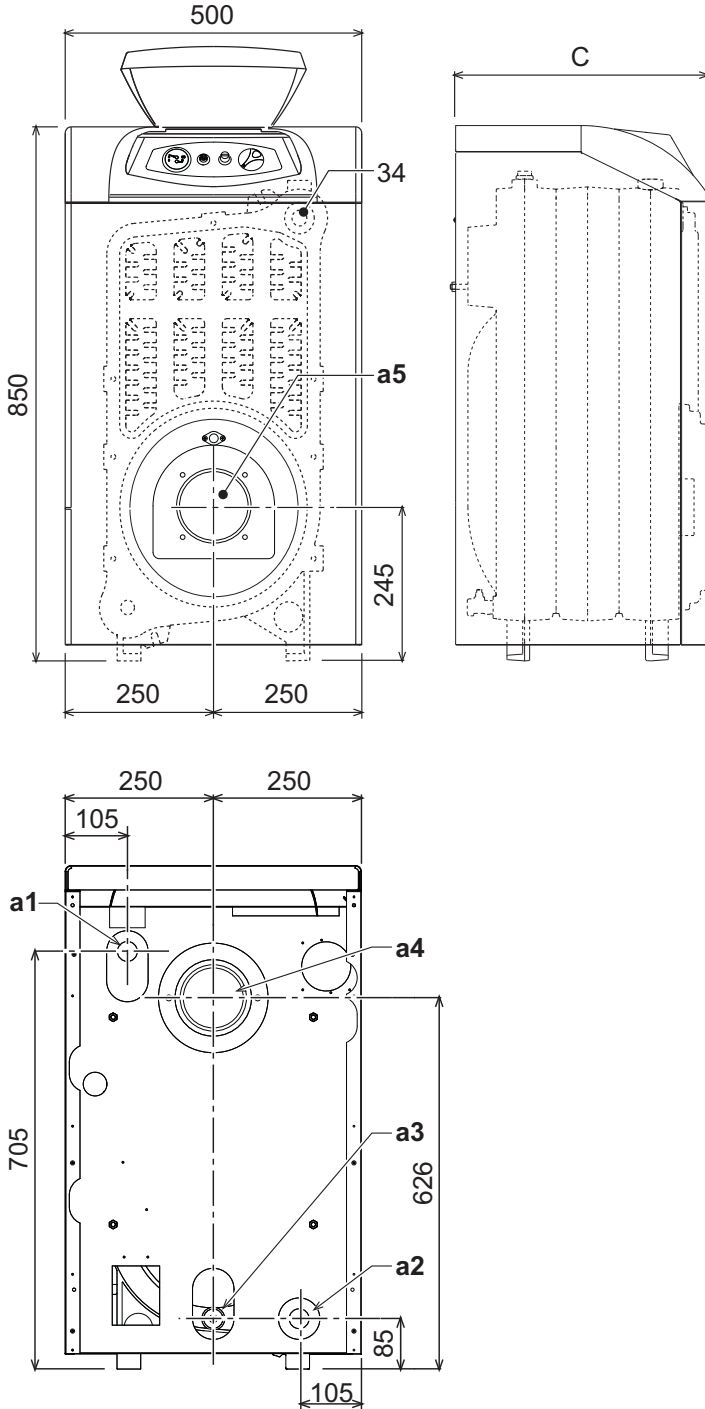


рис. 5 - Размеры, присоединения и основные элементы котла

Модель	°C мм	a4 Ø мм	a5 Ø мм
EL-DB N 32	400	120x130	115
EL-DB N 47	500	120x130	115
EL-DB N 62	600	120x130	115
EL-DB N 78	700	120x130	115
EL-DB N 95	800	120x130	115

- a1 Питание системы отопления горячей водой 3/4"
- a2 Штуцер обратного трубопровода системы отопления 1 1/2"
- a3 Слив системы отопления - 1/2"
- a4 Подключение дымохода
- a5 Подключение горелки
- 34 Шарик термометра системы отопления и предохранительного устройства

4.2 Гидравлическое сопротивление системы

Сопротивление водяного контура

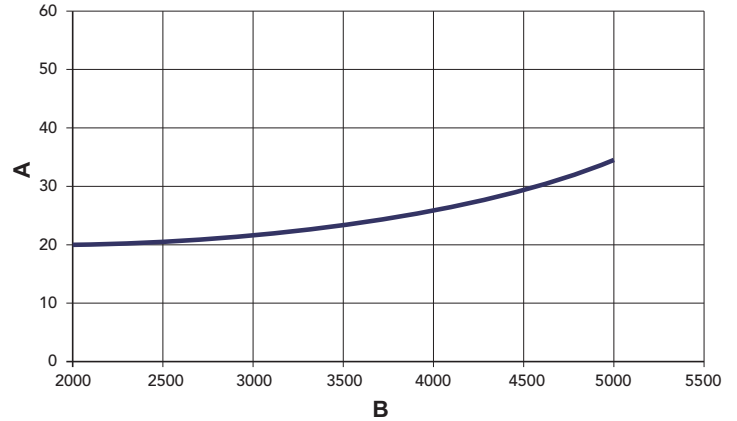


рис. 6 - Сопротивление системы

- A мбар
- B Расход воды л/ч

4.3 Таблица технических данных

Параметр	Единица измерения	Величина				
		EL-DB N 32	EL-DB N 47	EL-DB N 62	EL-DB N 78	EL-DB N 95
Количество элементов	шт.	3	4	5	6	7
Макс. теплопроизводительность	кВт	34.9	51.6	67.7	85.6	103 (Q)
Мин. теплопроизводительность	кВт	17.0	34.3	45.8	59.0	70.8 (Q)
Макс. тепловая мощность системы отопления	кВт	32	47	62	78	95 (P)
Мин. тепловая мощность системы отопления	кВт	16	32	43	55	66 (P)
КПД Rmax (80-60°C)	%	91.7	91.1	91.5	91.1	92
КПД 30%	%	94.3	93.5	94.0	93.5	93.8
Макс. рабочее давление воды в системе отопления	бар	6	6	6	6	6 (PMS)
Мин. рабочее давление воды в системе отопления	бар	0.8	0.8	0.8	0.8	0.8
Макс. температура в системе отопления	°C	95	95	95	95	95 (tmax)
Объем воды в системе отопления	L	18	23	28	33	38
Класс защиты	IP	X0D	X0D	X0D	X0D	X0D
Напряжение питания	В/Гц	230/50	230/50	230/50	230/50	230/50
Порошний вес	кг	127	166	205	244	283
Длина камеры сгорания	мм	350	450	550	650	750
Диаметр камеры сгорания	мм	300	300	300	300	300
Потеря нагрузки со стороны отвода дымов	мбар	0.2	0.27	0.4	0.4	0.63

4.4 Электрическая схема

Принципиальная электрическая схема EL-DB N 32 ч 78

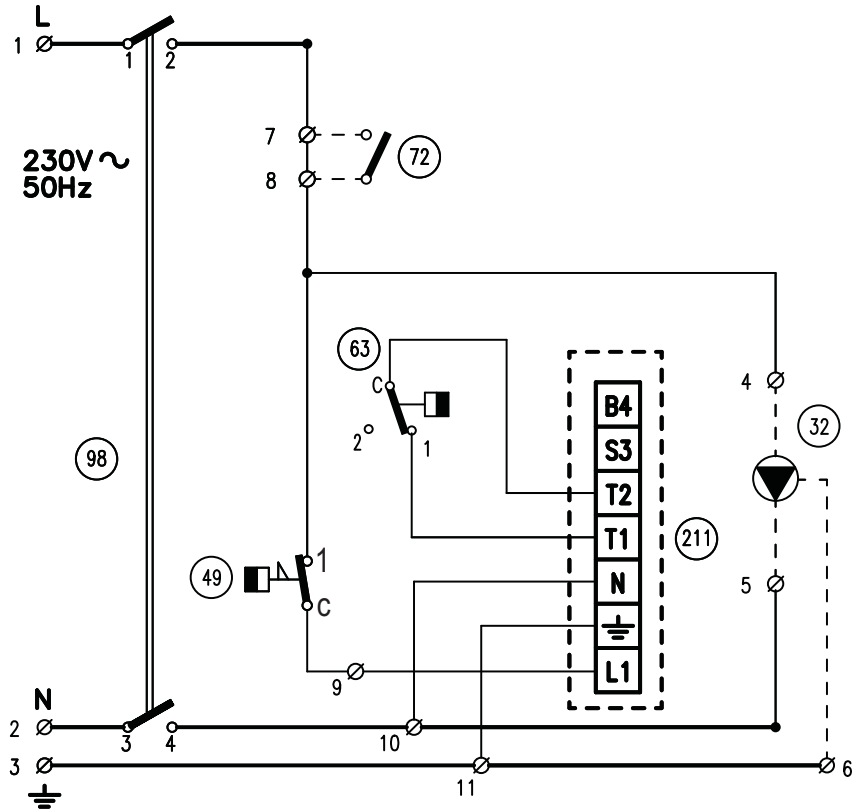


рис. 7 - Принципиальная электрическая схема EL-DB N 32 ч 78

Легенда рис. 7 и рис. 8

- 32 Циркуляционный насос (исключен из поставки)
- 49 Предохранительный термостат
- 72 Комнатный термостат (исключен из поставки)
- 63 Термостат регулировки котла
- 98 Выключатель
- 211 Разъем горелки (исключен из поставки)

Схема электрических соединений EL-DB N 32 ч 78

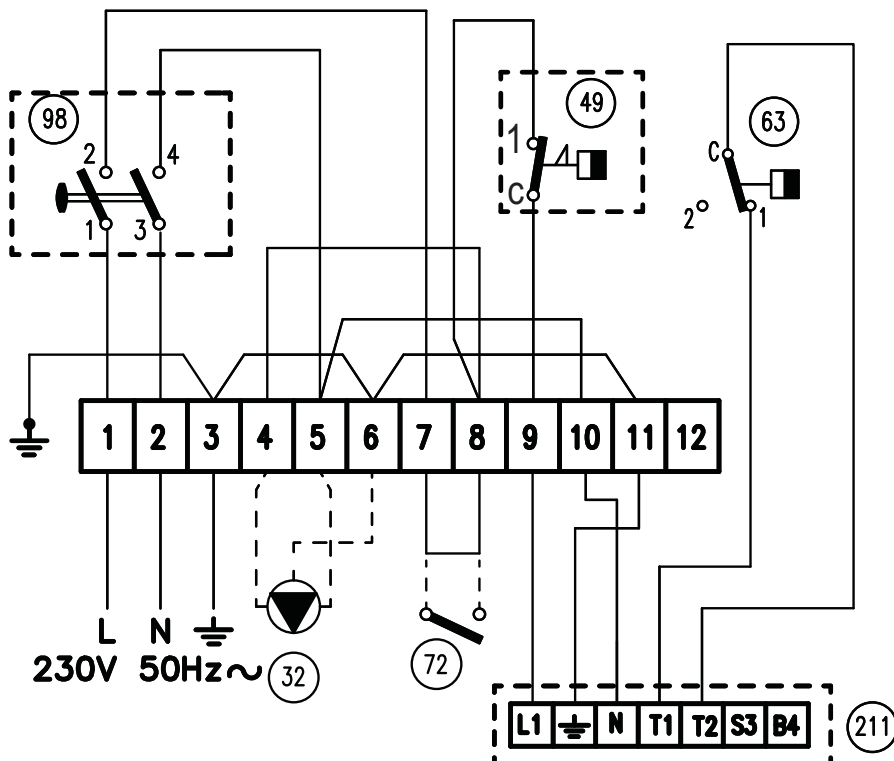


рис. 8 - Схема электрических соединений EL-DB N 32 ч 78

Принципиальная электрическая схема EL-DB N 95

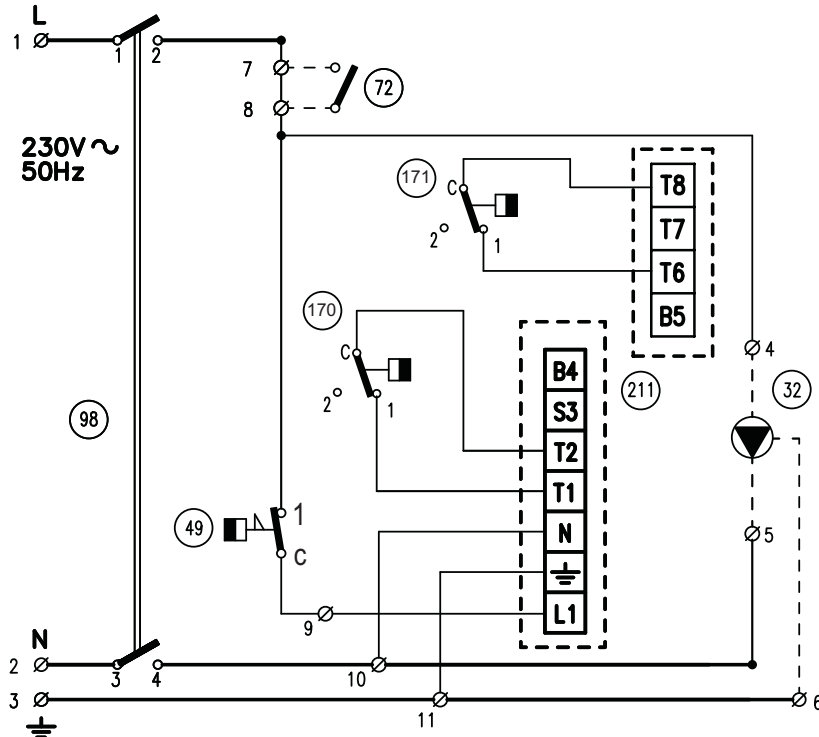


рис. 9 - Принципиальная электрическая схема EL-DB N 95

Легенда рис. 9 и рис. 10

- 32 Циркуляционный насос (исключен из поставки)
- 49 Предохранительный термостат
- 72 Комнатный термостат (исключен из поставки)
- 98 Выключатель
- 170 Термостат регулировки температуры 1-ой ступени котла
- 171 Термостат регулировки температуры 2-ой ступени котла
- 211 Разъем горелки (исключен из поставки)

Схема электрических соединений EL-DB N 95

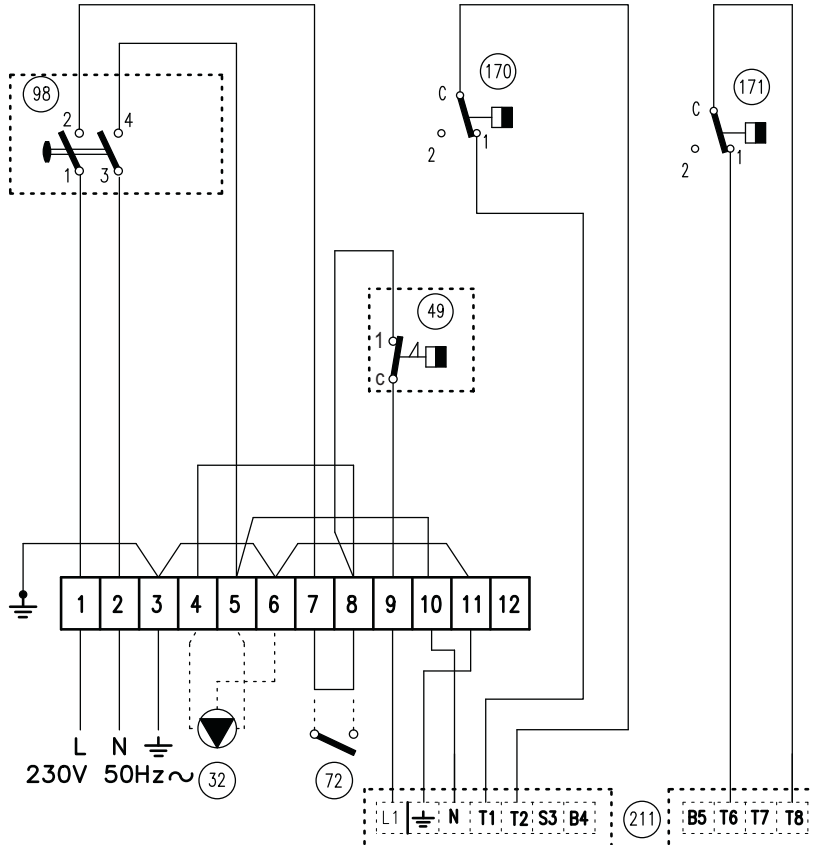


рис. 10 - Схема электрических соединений EL-DB N 95

BRUCIATORI
CALDAIE MURALI E TERRA A GAS
GRUPPI TERMICI IN GHISA E IN ACCIAIO
GENERATORI DI ARIA CALDA
TRATTAMENTO ACQUA
CONDIZIONAMENTO



Lamborghini
CALORECLIMA

VIA RITONDA, 78/A
37047 SAN BONIFACIO - VERONA - ITALIA

Организация, уполномоченная производителем на принятие претензий от потребителя: ИЗАО "ФерролиБел". УНП 690655161.
Адрес: улица Заводская, дом 45, город Фаниполь, Дзержинский район, Минская область, Республика Беларусь, 222750.
Телефон: +375 (17) 169-79-49, адрес электронной почты: ferroli@ferroli.by.

Made in Italy
Сделано в Италии

